



CATALOG 2011





THE WILL TO WIN



eibach.com



DOMINATE THE TRACK.

For more than 50 years, Eibach has dedicated itself to one simple quest: building the finest suspension components in the world. The inspiration for this effort can be summed up in four words: The Will To Win. And the results are showcased every day in the demanding world of racing, from the legendary Formula 1 circuits and rugged WRC stages around the world, to the high-banked ovals of America. From Europe's Monza, Silverstone, Nurburgring and

LeMans, to Australia's V8 Supercar tracks and to the fast-growing racing series in Asia. As the stakes in racing grow ever higher, competition gets even tougher. Precision, reliability and repeatability assume greater importance, as preparation for winning race efforts becomes more crucial than ever. And Eibach suspension components, which ultimately determine handling, balance and overall performance, must be nothing less than perfect.

#1 CHOICE OF MOTORSPORT CHAMPIONS WORLDWIDE!

TABLE OF CONTENTS

EIBACH QUALITY UNSURPASSED	5
CUSTOM SPEC RACE SPRINGS	6
EIBACH XT BARREL SPRINGS	7
EIBACH ERO	8
EIBACH SPRING WRAPS	9
EIBACH RACE SPRING SYSTEMS	10
SUSPENSION WORK SHEET	42
DETERMINING SPRING RATE	43
CONVERSION RATES	43

APPLICATIONS

COIL-OVER 1.63" I.D. (QUARTER MIDGET)	11
COIL-OVER 1.88" I.D.	12
COIL-OVER 2.00" I.D.	13
COIL-OVER 2.25" I.D.	14-17
COIL-OVER 2.50" I.D.	18-21
XT BARREL SPRINGS	19,20,21
CONVENTIONAL FRONT	22-24
8.75" FREE LENGTH	
9.50" FREE LENGTH	
CONVENTIONAL REAR	24-26
LOADED HEIGHT (NASCAR SPECS)	
11.00" REAR	
13.00" REAR	
15.00" REAR	
16.00" REAR	
REAR PLATINUM SPRINGS	
TORQUE LINK SPRING	
COIL-OVER 2.50" I.D. OFF-ROAD	27-28
COIL-OVER 3.00" I.D. OFF-ROAD	29-30
COIL-OVER 3.63" I.D. OFF-ROAD	31-32
COIL-OVER 60MM ID	33-37
COIL-OVER 70MM ID	38-39
COIL-OVER 36MM ID (F3 / C SPRINGS)	40



EIBACH SPRINGS | Quality Unsurpassed

PERFORMANCE PERFECTED

- Ultra-Lightweight for Reduced Unsprung Mass
- Maximum Deflection in Combination with Smallest Block Heights
- Exceptional Block Resistance and Durability
- Precision Tolerances—The Tightest in the Industry
- Precision Planparallel and Square End Configurations Under Unloaded and Loaded Conditions to +/- 1 Degree
- Lowest Side Loads with Load Center Ideally Located Relative to Spring Axis
- Highest Linearity and Guaranteed Rate Consistency Within 2% Of Advertised Rate
- Each Spring Individually Tested and Rated
- Eibach Springs Lifetime Warranty

Eibach produces the finest racecar springs in the world. Period. When other springs sag, or need frequent replacement, top race teams, from F1 to WRC, from Le Mans to NASCAR, inevitably turn

to Eibach. And, also inevitably, wonder why they didn't choose Eibach in the first place.

To produce springs with unparalleled precision and repeatability, Eibach uses the world's finest Hi-Ten spring steel, produced to exceedingly precise tolerances—according to Eibach specs.

We use world-renowned German CNC coilers, as well as many machines engineered and built specifically by Eibach. In short, we use state-of-the-art technology, in every step of the manufacturing process.

But it's not just about machines and technology: it's about people. Most notably, the Eibach Springmeisters, working at production plants in Germany and the USA: Talented, expert craftsmen, each committed to creating the finest race springs in the world.

eibach.com

Eibach[®]
SPRINGS



CUSTOM-SPEC | Extreme Performance Race Springs

SPRING TECHNOLOGY FOR THE HIGHEST REQUIREMENTS

While the Eibach ERS system (see page 10) provides a huge range of spring rates and suspension travel, there are always racing applications that require specially designed components.

Our suspension engineers enjoy the challenge of creating unique designs that overcome special geometry, special weight challenges, or unusual design characteristics.

For example, all Eibach springs used by top-running teams in Formula 1, the famous WRC (World Rally Championship), Le Mans/GT, and many Touring-Car Series are custom designed and manufactured.

The extreme conditions and long-travel suspension performance found in today's off-road race vehicles often require multiple progressive characteristics—a tough assignment for a lesser spring manufacturer, but a welcome challenge for Eibach.

Have a special suspension need? Contact us and let our expert engineering and production teams solve your toughest suspension problems.





EIBACH XT BARREL SPRINGS | Extreme Travel for Circle Track

MORE TRAVEL AND CLEARANCE

Eibach's new XT Barrel coil springs are designed for the special needs of Circle Track racing, and are configured to provide additional clearance for standard 2.5-inch circle-track racing shocks.

Available in 12" and 14" lengths with rates from 125 to 250 pounds-per-inch, their distinctive XT Barrel shape works seamlessly with standard 2.5-inch spring perches, allowing easy access to the lower ball joint while retaining the benefits of a larger-diameter spring-with more travel and more shock body clearance. The continuous taper of Eibach's XT Barrel springs to a maximum 3.0" ID allows our engineers to increase the spring-coil pitch beyond any previous designs, yielding a lighter spring, and increased usable travel.

Eibach's legendary quality and proprietary high-tensile, chrome-silicon spring wire ensure that your XT Barrel springs will measure and perform the same, year after year.



Eibach[®]
SPRINGS

eibach.com



EIBACH ERO | Off-Road Racing Springs-Silver

THE ULTIMATE IN DURABILITY AND PERFORMANCE

Introducing our Eibach ERO spring system, designed to withstand the extreme challenges of off-road racing with legendary Eibach performance, quality and reliability.

Like all other Eibach racing springs, our ERO springs will maintain their dimensions and rates to incredibly tight tolerances, jump after jump, race after race. Thanks to our highest-quality spring steel, state-of-the-art manufacturing and rigorous quality assurance, Eibach ERO springs will deliver the performance and reliability you need to get ahead of the pack—and stay there.

Available in 2.50", 3.00" and 3.63" inside diameters with free lengths from 8" to 33" and rates from 100 lbs to 800 lbs. A complete line of compatible, flat-wire helper springs, tender springs and spring coupling spacers gives you the tools you need to create a suspension system you can count on. Additional sizes and rates are available in red.





EIBACH SPRING WRAPS | Durable & Lightweight Spring Covers

PERFORMANCE PROTECTION FOR YOUR COIL-OVER SHOCKS & SPRINGS

Racing on dirt, mud, rocks and sand can take its toll on your race car. Don't let your suspension be exposed to these harsh elements! On the dirt tracks, our exclusive Eibach Spring Wraps will help prevent mud build-up to save weight and protect seals.

And for off-road, you will appreciate the rock and sand protection to prevent the shock shaft from pitting and damaging seals.

The Eibach Spring Wraps make it is easy to extend the life and performance for your shocks and springs. Made from durable and lightweight polypropylene—does not absorb moisture. Mounting is quick and easy.

Please note: Wraps sold individually by spring diameter and length. Lengths can be cut down for shorter spring/suspension set-ups.

Spring Diameter	Dimensions	Part#
2.50"	9"H X 15"W	SW090.150
2.50"	13"H X 15"W	SW130.150
3.00"	13"H X 16.5"W	SW130.165
3.63"	17"H X 20"W	SW170.200

EIBACH RACE SPRING SYSTEMS

EIBACH DOUBLE-SPRING SYSTEM

Suspension tuning is a precise balance. On one hand, the spring system should be soft enough to absorb track irregularities assuring maximum adhesion, while on the other hand the spring system must be firm enough to reduce the body roll, squat, and dive of the vehicle during cornering, acceleration and braking. For optimum balance, Eibach has developed the ERS double-spring system. By combining Eibach Main, Tender and/or Helper springs, the suspension engineer or weekend racer can create the perfect combination of spring rates for the ultimate suspension set-up. With our extensive range of motorsport spring sizes and rates—our ERS double-spring system is unsurpassed in performance and flexibility. For Off-Road racing where extreme wheel travel is a must—combining two different rate main springs gives you the softer rate required for small bumps and a stiffer final rate to prevent bottoming on the bigger bumps and jumps.

EIBACH MAIN AND TENDER SYSTEM

The Eibach Main and Tender spring concept provides a softer initial rate when both springs are compressed together, then delivers the desired firmer final rate once the tender spring closes completely. The Main spring has a linear-rate characteristic and determines the final rate of the system. The Tender springs are available in linear or progressive-rate (shown) and determine the initial rate of the spring-system.

EIBACH MAIN AND HELPER SYSTEM

A Helper spring is used to prevent the Main spring from becoming loose in the spring seat when the suspension is unloaded or at full droop. The Helper spring, unlike the Tender spring, has very little spring rate, and therefore has no effect on the suspension characteristics of the vehicle. Up to 2" (50mm) of spring-to-perch gap can be covered with the use of a Helper spring.

EIBACH COUPLING SPACERS

Coupling Spacers are used to connect Main and Tender (or Helper) springs. Eibach offers inside diameter coupling spacers for our most popular ERS double-spring applications.

EIBACH TORSION RELEASE BEARING - TRB

The Eibach TRB bearing system reduces torsional binding by removing friction during deflection. This results in a smoother and more consistent spring action throughout the entire range of deflection. Also allows for easier and more precise ride height adjustment by eliminating spring seat friction.



COIL-OVER | 1.63" I.D. (Quarter Midget)

Part Number	Length		Inside Diameter		Rate		Block Height		Travel		Load at Block Height		Weight	
	inch	mm	inch	mm	lbs/inch	N/mm	inch	mm	inch	mm	lbs	N	lbs	kg
5.00 (length in inches)														
0500.163.0080	5.00	127	1.63	41	80	14	1.46	37	3.54	90	283	1,259	0.36	0.16
0500.163.0085	5.00	127	1.63	41	85	15	1.40	36	3.60	91	306	1,361	0.35	0.16
0500.163.0090	5.00	127	1.63	41	90	16	1.45	37	3.55	90	320	1,423	0.37	0.17
0500.163.0095	5.00	127	1.63	41	95	17	1.47	37	3.53	90	335	1,490	0.38	0.17
0500.163.0100	5.00	127	1.63	41	100	18	1.52	39	3.48	88	348	1,548	0.40	0.18
0500.163.0105	5.00	127	1.63	41	105	18	1.57	40	3.43	87	360	1,601	0.43	0.20
0500.163.0110	5.00	127	1.63	41	110	19	1.53	39	3.47	88	382	1,699	0.41	0.19
0500.163.0115	5.00	127	1.63	41	115	20	1.55	39	3.45	88	396	1,761	0.43	0.20
0500.163.0120	5.00	127	1.63	41	120	21	1.63	41	3.37	86	405	1,802	0.46	0.21
0500.163.0125	5.00	127	1.63	41	125	22	1.68	43	3.32	84	415	1,846	0.48	0.22
0500.163.0130	5.00	127	1.63	41	130	23	1.73	44	3.27	83	425	1,890	0.50	0.23
0500.163.0135	5.00	127	1.63	41	135	24	1.78	45	3.22	82	434	1,931	0.53	0.24
0500.163.0140	5.00	127	1.63	41	140	25	1.73	44	3.27	83	457	2,033	0.52	0.24
0500.163.0145	5.00	127	1.63	41	145	25	1.68	43	3.32	84	481	2,140	0.50	0.23
0500.163.0150	5.00	127	1.63	41	150	26	1.74	44	3.26	83	490	2,180	0.53	0.24



Part Number	Length		Inside Diameter		Rate		Block Height		Travel		Load at Block Height		Weight	
	inch	mm	inch	mm	lbs/inch	N/mm	inch	mm	inch	mm	lbs	N	lbs	kg
8.00 (length in inches)														
0800.188.0100	8.00	203	1.88	48	100	18	2.60	66	5.40	137	539	2,398	1.06	0.48
0800.188.0185	8.00	203	1.88	48	185	32	3.31	84	4.69	119	868	3,861	1.61	0.73
0800.188.0200	8.00	203	1.88	48	200	35	3.16	80	4.84	123	967	4,301	1.61	0.73
0800.188.0225	8.00	203	1.88	48	225	39	3.27	83	4.73	120	1,063	4,728	1.73	0.78
0800.188.0250	8.00	203	1.88	48	250	44	3.28	83	4.72	120	1,181	5,253	1.78	0.81
0800.188.0280	8.00	203	1.88	48	280	49	3.42	87	4.58	116	1,281	5,698	1.86	0.84
0800.188.0325	8.00	203	1.88	48	325	57	3.63	92	4.37	111	1,421	6,321	2.16	0.98
0800.188.0350	8.00	203	1.88	48	350	61	3.76	96	4.24	107	1,484	6,601	2.31	1.05
10.00 (length in inches)														
1000.188.0050	10.00	254	1.88	48	50	9	2.49	63	7.51	191	376	1,673	0.86	0.39
1000.188.0130	10.00	254	1.88	48	130	23	3.57	91	6.43	163	835	3,714	1.71	0.78
1000.188.0145	10.00	254	1.88	48	145	25	4.25	108	5.75	146	834	3,710	2.14	0.97
1000.188.0160	10.00	254	1.88	48	160	28	3.83	97	6.17	157	987	4,390	1.96	0.89
1000.188.0175	10.00	254	1.88	48	175	31	3.98	101	6.02	153	1,053	4,684	2.10	0.95
1000.188.0200	10.00	254	1.88	48	200	35	3.99	101	6.01	153	1,203	5,351	2.18	0.99
1000.188.0225	10.00	254	1.88	48	225	39	4.56	116	5.44	138	1,223	5,440	2.60	1.18
1000.188.0250	10.00	254	1.88	48	250	44	4.55	116	5.45	138	1,363	6,063	2.73	1.24
1000.188.0275	10.00	254	1.88	48	275	48	4.63	118	5.37	136	1,478	6,574	2.86	1.30
1000.188.0300	10.00	254	1.88	48	300	53	4.39	112	5.61	142	1,683	7,486	2.65	1.20
1000.188.0325	10.00	254	1.88	48	325	57	4.50	114	5.50	140	1,787	7,949	2.79	1.27
1000.188.0350	10.00	254	1.88	48	350	61	4.67	119	5.33	135	1,865	8,296	2.98	1.35
1000.188.0400	10.00	254	1.88	48	400	70	4.57	116	5.43	138	2,171	9,657	2.99	1.36
1000.188.0450	10.00	254	1.88	48	450	79	4.94	125	5.06	129	2,277	10,129	3.42	1.55
Helper (prevents main spring from becoming loose at full droop)														
HELPER188	2.98	76	1.88	48	12	2								
Spacer (ID locating main to helper/tender coupling spacer)														
SPACER188 (Spring Coupler)			1.88	48										
Torsion Release Bearing														
TRB188			1.88	48										



COIL-OVER | 2.25" I.D.

Part Number	Length		Inside Diameter		Rate		Block Height		Travel		Load at Block Height		Weight	
	inch	mm	inch	mm	lbs/inch	N/mm	inch	mm	inch	mm	lbs	N	lbs	kg
4.00 (length in inches)														
0400.225.0500	4.00	102	2.25	57	500	88	1.66	42	2.34	60	1,168	5,195	1.08	0.49
0400.225.0550	4.00	102	2.25	57	550	96	1.71	43	2.29	59	1,260	5,605	1.14	0.52
0400.225.0700	4.00	102	2.25	57	700	123	1.82	46	2.18	56	1,529	6,801	1.21	0.55
0400.225.0800	4.00	102	2.25	57	800	140	1.82	46	2.18	56	1,745	7,762	1.24	0.56
0400.225.0825	4.00	102	2.25	57	825	144	1.85	47	2.15	55	1,772	7,882	1.28	0.58
0400.225.0850	4.00	102	2.25	57	850	149	1.88	48	2.12	54	1,799	8,002	1.32	0.60
0400.225.1000	4.00	102	2.25	57	1,000	175	1.97	50	2.03	52	2,029	9,025	1.46	0.66
0400.225.1050	4.00	102	2.25	57	1,050	184	1.99	51	2.01	51	2,109	9,381	1.50	0.68
0400.225.1075	4.00	102	2.25	57	1,075	188	1.99	51	2.01	51	2,158	9,600	1.50	0.68
0400.225.1100	4.00	102	2.25	57	1,100	193	1.99	51	2.01	51	2,208	9,823	1.50	0.68
0400.225.1200	4.00	102	2.25	57	1,200	210	2.01	51	1.99	51	2,385	10,609	1.56	0.71
0400.225.1250	4.00	102	2.25	57	1,250	219	2.10	53	1.90	49	2,372	10,551	1.68	0.76
0400.225.1300	4.00	102	2.25	57	1,300	228	2.03	52	1.97	50	2,559	11,383	1.61	0.73
0400.225.1350	4.00	102	2.25	57	1,350	236	2.12	54	1.88	48	2,535	11,276	1.73	0.78
0400.225.1400	4.00	102	2.25	57	1,400	245	2.10	53	1.90	49	2,662	11,841	1.71	0.78
0400.225.1800	4.00	102	2.25	57	1,800	315	2.27	58	1.73	44	3,115	13,856	2.03	0.92
0400.225.1900	4.00	102	2.25	57	1,900	333	2.22	56	1.78	46	3,387	15,066	1.97	0.89
0400.225.2000	4.00	102	2.25	57	2,000	350	2.26	57	1.74	45	3,482	15,489	2.06	0.93
0400.225.2300	4.00	102	2.25	57	2,300	403	2.34	59	1.66	43	3,812	16,957	2.23	1.01
0400.225.2400	4.00	102	2.25	57	2,400	420	2.41	61	1.59	41	3,810	16,948	2.35	1.07
0400.225.2500	4.00	102	2.25	57	2,500	438	2.36	60	1.64	42	4,109	18,278	2.28	1.03
0400.225.2600	4.00	102	2.25	57	2,600	455	2.43	62	1.57	40	4,092	18,202	2.40	1.09
0400.225.2800	4.00	102	2.25	57	2,800	490	2.44	62	1.56	40	4,370	19,439	2.46	1.12
0400.225.3000	4.00	102	2.25	57	3,000	525	2.45	62	1.55	40	4,647	20,671	2.52	1.14
0400.225.3200	4.00	102	2.25	57	3,200	560	2.49	63	1.51	39	4,826	21,467	2.61	1.18
0400.225.3400	4.00	102	2.25	57	3,400	595	2.53	64	1.47	38	4,990	22,197	2.71	1.23
5.00 (length in inches)														
0500.225.0350	5.00	127	2.25	57	350	61	1.95	50	3.05	77	1,068	4,751	1.24	0.56
0500.225.0425	5.00	127	2.25	57	425	74	2.15	55	2.85	72	1,212	5,391	1.67	0.76
0500.225.0450	5.00	127	2.25	57	450	79	2.15	55	2.85	72	1,284	5,711	1.49	0.68
0500.225.0500	5.00	127	2.25	57	500	88	2.09	53	2.91	74	1,456	6,477	1.39	0.63
0500.225.0525	5.00	127	2.25	57	525	92	2.18	55	2.82	72	1,481	6,588	1.48	0.67
0500.225.0550	5.00	127	2.25	57	550	96	2.12	54	2.88	73	1,585	7,050	1.43	0.65
0500.225.0600	5.00	127	2.25	57	600	105	2.17	55	2.83	72	1,699	7,557	1.52	0.69
0500.225.0625	5.00	127	2.25	57	625	109	2.29	58	2.71	69	1,697	7,549	1.64	0.74
0500.225.0650	5.00	127	2.25	57	650	114	2.22	56	2.78	71	1,806	8,033	1.59	0.72
0500.225.0675	5.00	127	2.25	57	675	118	2.34	59	2.66	68	1,796	7,989	1.73	0.78
0500.225.0700	5.00	127	2.25	57	700	123	2.30	58	2.70	69	1,894	8,425	1.70	0.77
0500.225.0750	5.00	127	2.25	57	750	131	2.35	60	2.65	67	1,989	8,847	1.78	0.81
0500.225.0800	5.00	127	2.25	57	800	140	2.44	62	2.56	65	2,044	9,092	1.90	0.86
0500.225.0850	5.00	127	2.25	57	850	149	2.33	59	2.67	68	2,269	10,093	1.81	0.82
0500.225.0875	5.00	127	2.25	57	875	153	2.45	62	2.55	65	2,230	9,919	1.95	0.88
0500.225.0900	5.00	127	2.25	57	900	158	2.43	62	2.57	65	2,316	10,302	1.93	0.88
0500.225.0925	5.00	127	2.25	57	925	162	2.38	60	2.62	67	2,421	10,769	1.89	0.86
0500.225.0950	5.00	127	2.25	57	950	166	2.50	63	2.50	64	2,371	10,547	2.04	0.93
0500.225.1000	5.00	127	2.25	57	1,000	175	2.43	62	2.57	65	2,567	11,419	1.98	0.90
0500.225.1050	5.00	127	2.25	57	1,050	184	2.51	64	2.49	63	2,616	11,636	2.09	0.95
0500.225.1100	5.00	127	2.25	57	1,100	193	2.61	66	2.39	61	2,631	11,703	2.23	1.01

Part Number	Length		Inside Diameter		Rate		Block Height		Travel		Load at Block Height		Weight	
	inch	mm	inch	mm	lbs/inch	N/mm	inch	mm	inch	mm	lbs	N	lbs	kg
0500.225.1125	5.00	127	2.25	57	1,125	197	2.56	65	2.44	62	2,746	12,215	2.18	0.99
0500.225.1150	5.00	127	2.25	57	1,150	201	2.53	64	2.47	63	2,835	12,611	2.16	0.98
0500.225.1200	5.00	127	2.25	57	1,200	210	2.64	67	2.36	60	2,837	12,620	2.31	1.05
0500.225.1250	5.00	127	2.25	57	1,250	219	2.56	65	2.44	62	3,050	13,567	2.23	1.01
0500.225.1300	5.00	127	2.25	57	1,300	228	2.64	67	2.36	60	3,073	13,669	2.35	1.07
0500.225.1350	5.00	127	2.25	57	1,350	236	2.74	70	2.26	57	3,052	13,576	2.51	1.14
0500.225.1400	5.00	127	2.25	57	1,400	245	2.69	68	2.31	59	3,238	14,403	2.45	1.11
0500.225.1450	5.00	127	2.25	57	1,450	254	2.79	71	2.21	56	3,204	14,252	2.61	1.18
0500.225.1500	5.00	127	2.25	57	1,500	263	2.74	70	2.26	57	3,394	15,097	2.56	1.16
0500.225.1525	5.00	127	2.25	57	1,525	267	2.71	69	2.29	58	3,491	15,529	2.53	1.15
0500.225.1550	5.00	127	2.25	57	1,550	271	2.84	72	2.16	55	3,344	14,875	2.72	1.23
0500.225.1600	5.00	127	2.25	57	1,600	280	2.79	71	2.21	56	3,539	15,742	2.66	1.21
0500.225.1700	5.00	127	2.25	57	1,700	298	2.84	72	2.16	55	3,674	16,343	2.77	1.26
0500.225.1750	5.00	127	2.25	57	1,750	306	2.95	75	2.05	52	3,595	15,991	2.94	1.33
0500.225.1800	5.00	127	2.25	57	1,800	315	2.89	73	2.11	54	3,799	16,899	2.89	1.31
0500.225.1850	5.00	127	2.25	57	1,850	324	2.83	72	2.17	55	4,008	17,828	2.82	1.28
0500.225.2100	5.00	127	2.25	57	2,100	368	2.92	74	2.08	53	4,361	19,399	3.26	1.48
0500.225.2400	5.00	127	2.25	57	2,400	420	3.00	76	2.00	51	4,797	21,338	3.23	1.47
0500.225.3100	5.00	127	2.25	57	3,100	543	3.25	83	1.75	44	5,430	24,154	3.85	1.75
0500.225.3400	5.00	127	2.25	57	3,400	595	3.20	81	1.80	46	6,124	27,241	3.86	1.75
0500.225.3500	5.00	127	2.25	57	3,500	613	3.28	83	1.72	44	6,021	26,783	4.02	1.82
0500.225.3600	5.00	127	2.25	57	3,600	630	3.21	82	1.79	45	6,434	28,620	3.93	1.78
0500.225.4100	5.00	127	2.25	57	4,100	718	3.24	82	1.76	45	7,222	32,125	4.10	1.86
6.00 (length in inches)														
0600.225.0125	6.00	152	2.25	57	125	22	2.01	51	3.99	101	499	2,220	0.98	0.44
0600.225.0150	6.00	152	2.25	57	150	26	2.03	51	3.97	101	596	2,651	1.03	0.47
0600.225.0175	6.00	152	2.25	57	175	31	2.16	54	3.84	98	671	2,985	1.17	0.53
0600.225.0225	6.00	152	2.25	57	225	39	2.27	57	3.73	95	838	3,728	1.32	0.60
0600.225.0250	6.00	152	2.25	57	250	44	2.25	57	3.75	95	937	4,168	1.40	0.64
0600.225.0275	6.00	152	2.25	57	275	48	2.40	61	3.60	91	989	4,399	1.48	0.67
0600.225.0300	6.00	152	2.25	57	300	53	2.22	56	3.78	96	1,135	5,049	1.60	0.73
0600.225.0325	6.00	152	2.25	57	325	57	2.57	65	3.43	87	1,114	4,955	1.70	0.77
0600.225.0350	6.00	152	2.25	57	350	61	2.36	60	3.64	92	1,273	5,663	1.61	0.73
0600.225.0375	6.00	152	2.25	57	375	66	2.56	65	3.44	87	1,290	5,738	1.72	0.78
0600.225.0400	6.00	152	2.25	57	400	70	2.44	62	3.56	90	1,424	6,334	1.64	0.74
0600.225.0450	6.00	152	2.25	57	450	79	2.44	62	3.56	90	1,601	7,122	1.68	0.76
0600.225.0475	6.00	152	2.25	57	475	83	2.56	65	3.44	87	1,633	7,264	1.82	0.83
0600.225.0500	6.00	152	2.25	57	500	88	2.46	62	3.54	90	1,770	7,873	1.74	0.79
0600.225.0525	6.00	152	2.25	57	525	92	2.60	66	3.40	86	1,784	7,936	1.90	0.86
0600.225.0550	6.00	152	2.25	57	550	96	2.73	69	3.27	83	1,799	8,002	2.05	0.93
0600.225.0575	6.00	152	2.25	57	575	101	2.62	66	3.38	86	1,944	8,647	1.96	0.89
0600.225.0600	6.00	152	2.25	57	600	105	2.75	69	3.25	83	1,952	8,683	2.11	0.96
0600.225.0625	6.00	152	2.25	57	625	109	2.68	68	3.32	84	2,076	9,234	2.06	0.93
0600.225.0650	6.00	152	2.25	57	650	114	2.81	71	3.19	81	2,075	9,230	2.22	1.01
0600.225.0700	6.00	152	2.25	57	700	123	2.87	72	3.13	80	2,193	9,755	2.32	1.05
0600.225.0750	6.00	152	2.25	57	750	131	2.98	75	3.02	77	2,267	10,084	2.47	1.12
0600.225.0800	6.00	152	2.25	57	800	140	2.83	71	3.17	81	2,532	11,263	2.34	1.06
0600.225.0850	6.00	152	2.25	57	850	149	2.89	73	3.11	79	2,640	11,743	2.45	1.11
0600.225.0900	6.00	152	2.25	57	900	158	2.98	75	3.02	77	2,720	12,099	2.58	1.17

COIL-OVER | 2.25" I.D.

Part Number	Length		Inside Diameter		Rate		Block Height		Travel		Load at Block Height		Weight	
	inch	mm	inch	mm	lbs/inch	N/mm	inch	mm	inch	mm	lbs	N	lbs	kg
0600.225.0950	6.00	152	2.25	57	950	166	3.09	78	2.91	74	2,767	12,308	2.76	1.25
0600.225.1000	6.00	152	2.25	57	1,000	175	2.96	75	3.04	77	3,038	13,514	2.62	1.19
0600.225.1100	6.00	152	2.25	57	1,100	193	3.18	80	2.82	72	3,099	13,785	2.95	1.34
0600.225.1200	6.00	152	2.25	57	1,200	210	3.19	81	2.81	71	3,373	15,004	3.04	1.38
0600.225.1300	6.00	152	2.25	57	1,300	228	3.19	81	2.81	71	3,648	16,227	3.11	1.41
0600.225.1400	6.00	152	2.25	57	1,400	245	3.28	83	2.72	69	3,805	16,925	3.48	1.58
0600.225.1450	6.00	152	2.25	57	1,450	254	3.34	84	2.66	68	3,859	17,166	3.37	1.53
0600.225.1500	6.00	152	2.25	57	1,500	263	3.34	84	2.66	68	3,990	17,748	3.61	1.64
0600.225.1600	6.00	152	2.25	57	1,600	280	3.34	84	2.66	68	4,257	18,936	3.68	1.67
0600.225.1800	6.00	152	2.25	57	1,800	315	3.45	87	2.55	65	4,585	20,395	3.96	1.80
0600.225.2200	6.00	152	2.25	57	2,200	385	3.69	93	2.31	59	5,092	22,650	4.28	1.94
7.00 (length in inches)														
0700.225.0150	7.00	178	2.25	57	150	26	2.16	55	4.84	123	726	3,229	1.18	0.54
0700.225.0250	7.00	178	2.25	57	250	44	2.49	63	4.51	115	1,126	5,009	1.61	0.73
0700.225.0325	7.00	178	2.25	57	325	57	2.95	75	4.05	103	1,315	5,849	2.02	0.92
0700.225.0350	7.00	178	2.25	57	350	61	2.68	68	4.32	110	1,513	6,730	1.81	0.82
0700.225.0375	7.00	178	2.25	57	375	66	2.78	71	4.22	107	1,581	7,033	1.94	0.88
0700.225.0400	7.00	178	2.25	57	400	70	2.89	73	4.11	105	1,642	7,304	2.08	0.94
0700.225.0425	7.00	178	2.25	57	425	74	3.05	77	3.95	101	1,680	7,473	2.26	1.03
0700.225.0450	7.00	178	2.25	57	450	79	2.90	74	4.10	104	1,845	8,207	2.14	0.97
0700.225.0475	7.00	178	2.25	57	475	83	3.03	77	3.97	101	1,885	8,385	2.30	1.04
0700.225.0500	7.00	178	2.25	57	500	88	3.14	80	3.86	98	1,927	8,572	2.45	1.11
0700.225.0525	7.00	178	2.25	57	525	92	3.03	77	3.97	101	2,083	9,266	2.36	1.07
0700.225.0550	7.00	178	2.25	57	550	96	3.17	81	3.83	97	2,106	9,368	2.53	1.15
0700.225.0600	7.00	178	2.25	57	600	105	3.24	82	3.76	96	2,257	10,040	2.65	1.20
0700.225.0650	7.00	178	2.25	57	650	114	3.31	84	3.69	94	2,400	10,676	2.78	1.26
0700.225.0700	7.00	178	2.25	57	700	123	3.38	86	3.62	92	2,536	11,281	2.90	1.32
0700.225.0800	7.00	178	2.25	57	800	140	3.49	89	3.51	89	2,809	12,495	3.15	1.43
0700.225.0850	7.00	178	2.25	57	850	149	3.56	90	3.44	88	2,926	13,015	3.28	1.49
0700.225.0900	7.00	178	2.25	57	900	158	3.43	87	3.57	91	3,213	14,292	3.15	1.43
0700.225.1000	7.00	178	2.25	57	1,000	175	3.64	92	3.36	86	3,359	14,942	3.50	1.59
0700.225.1100	7.00	178	2.25	57	1,100	193	3.63	92	3.37	86	3,710	16,503	3.57	1.62
8.00 (length in inches)														
0800.225.0200	8.00	203	2.25	57	200	35	2.95	75	5.05	128	1,010	4,493	1.95	0.88
0800.225.0225	8.00	203	2.25	57	225	39	3.10	79	4.90	124	1,102	4,902	2.02	0.92
0800.225.0250	8.00	203	2.25	57	250	44	3.09	78	4.91	125	1,227	5,458	2.13	0.97
0800.225.0275	8.00	203	2.25	57	275	48	3.25	82	4.75	121	1,307	5,814	2.24	1.02
0800.225.0300	8.00	203	2.25	57	300	53	3.03	77	4.97	126	1,490	6,628	2.07	0.94
0800.225.0325	8.00	203	2.25	57	325	57	3.13	79	4.87	124	1,584	7,046	2.20	1.00
0800.225.0350	8.00	203	2.25	57	350	61	3.22	82	4.78	121	1,671	7,433	2.34	1.06
0800.225.0375	8.00	203	2.25	57	375	66	3.30	84	4.70	119	1,762	7,838	2.47	1.12
0800.225.0400	8.00	203	2.25	57	400	70	3.46	88	4.54	115	1,814	8,069	2.66	1.21
0800.225.0425	8.00	203	2.25	57	425	74	3.59	91	4.41	112	1,875	8,340	2.82	1.28
0800.225.0450	8.00	203	2.25	57	450	79	3.43	87	4.57	116	2,055	9,141	2.69	1.22
0800.225.0475	8.00	203	2.25	57	475	83	3.58	91	4.42	112	2,101	9,346	2.89	1.31
0800.225.0500	8.00	203	2.25	57	500	88	3.44	87	4.56	116	2,279	10,137	2.78	1.26
0800.225.0525	8.00	203	2.25	57	525	92	3.59	91	4.41	112	2,318	10,311	2.95	1.34
0800.225.0550	8.00	203	2.25	57	550	96	3.73	95	4.27	108	2,347	10,440	3.16	1.43

COIL-OVER | 2.50" I.D.

Part Number	Length		Inside Diameter		Rate		Block Height		Travel		Load at Block Height		Weight	
	inch	mm	inch	mm	lbs/inch	N/mm	inch	mm	inch	mm	lbs	N	lbs	kg
6.00 (length in inches)														
0600.250.0400	6.00	152	2.50	64	400	70	2.40	61	3.60	91	1,439	6,401	1.85	0.84
0600.250.0450	6.00	152	2.50	64	450	79	2.39	60	3.61	92	1,624	7,224	1.90	0.86
0600.250.0500	6.00	152	2.50	64	500	88	2.38	60	3.62	92	1,809	8,047	1.92	0.87
0600.250.0550	6.00	152	2.50	64	550	96	2.44	62	3.56	90	1,960	8,718	2.03	0.92
0600.250.0600	6.00	152	2.50	64	600	105	2.68	68	3.32	84	1,990	8,852	2.35	1.07
0600.250.0650	6.00	152	2.50	64	650	114	2.69	68	3.31	84	2,149	9,559	2.42	1.10
0600.250.0700	6.00	152	2.50	64	700	123	2.57	65	3.43	87	2,397	10,662	2.29	1.04
0600.250.0750	6.00	152	2.50	64	750	131	2.65	67	3.35	85	2,510	11,165	2.42	1.10
0600.250.0800	6.00	152	2.50	64	800	140	2.71	68	3.29	84	2,634	11,717	2.53	1.15
0600.250.0850	6.00	152	2.50	64	850	149	2.79	70	3.21	82	2,732	12,152	2.67	1.21
0600.250.0900	6.00	152	2.50	64	900	158	2.87	72	3.13	80	2,820	12,544	2.82	1.28
0600.250.0950	6.00	152	2.50	64	950	166	2.92	74	3.08	78	2,924	13,007	2.93	1.33
0600.250.0975	6.00	152	2.50	64	975	171	3.03	77	2.97	75	2,896	12,882	3.11	1.41
0600.250.1000	6.00	152	2.50	64	1,000	175	2.92	74	3.08	78	3,076	13,683	3.00	1.36
0600.250.1100	6.00	152	2.50	64	1,100	193	3.00	76	3.00	76	3,295	14,657	3.15	1.43
0600.250.1150	6.00	152	2.50	64	1,150	201	3.11	79	2.89	73	3,318	14,759	3.35	1.52
0600.250.1200	6.00	152	2.50	64	1,200	210	3.03	77	2.97	75	3,562	15,844	3.24	1.47
0600.250.1450	6.00	152	2.50	64	1,450	254	3.16	80	2.84	72	4,110	18,282	3.59	1.63
7.00 (length in inches)														
0700.250.0275	7.00	178	2.50	64	275	48	2.54	65	4.46	113	1,226	5,453	1.95	0.88
0700.250.0300	7.00	178	2.50	64	300	53	2.48	63	4.52	115	1,356	6,032	1.83	0.83
0700.250.0325	7.00	178	2.50	64	325	57	2.54	65	4.46	113	1,449	6,445	1.92	0.87
0700.250.0350	7.00	178	2.50	64	350	61	2.65	67	4.35	111	1,525	6,784	2.06	0.93
0700.250.0375	7.00	178	2.50	64	375	66	2.71	69	4.29	109	1,609	7,157	2.17	0.98
0700.250.0400	7.00	178	2.50	64	400	70	2.81	71	4.19	107	1,675	7,451	2.32	1.05
0700.250.0450	7.00	178	2.50	64	450	79	2.81	71	4.19	107	1,884	8,380	2.36	1.07
0700.250.0500	7.00	178	2.50	64	500	88	2.81	71	4.19	107	2,096	9,323	2.42	1.10
0700.250.0550	7.00	178	2.50	64	550	96	3.07	78	3.93	100	2,161	9,613	2.79	1.27
0700.250.0600	7.00	178	2.50	64	600	105	3.09	78	3.91	100	2,348	10,444	2.87	1.30
0700.250.0650	7.00	178	2.50	64	650	114	3.15	80	3.85	98	2,504	11,138	3.00	1.36
8.00 (length in inches)														
0800.250.0150	8.00	203	2.50	64	150	26	2.55	65	5.45	138	817	3,634	1.63	0.74
0800.250.0200	8.00	203	2.50	64	200	35	2.67	68	5.33	135	1,065	4,737	1.95	0.88
0800.250.0250	8.00	203	2.50	64	250	44	2.83	72	5.17	131	1,291	5,743	2.12	0.96
0800.250.0300	8.00	203	2.50	64	300	53	2.96	75	5.04	128	1,513	6,730	2.33	1.06
0800.250.0350	8.00	203	2.50	64	350	61	3.12	79	4.88	124	1,709	7,602	2.59	1.17
0800.250.0400	8.00	203	2.50	64	400	70	3.08	78	4.92	125	1,968	8,754	2.61	1.18
0800.250.0450	8.00	203	2.50	64	450	79	3.28	83	4.72	120	2,122	9,439	2.94	1.33
0800.250.0500	8.00	203	2.50	64	500	88	3.28	83	4.72	120	2,358	10,489	3.00	1.36
0800.250.0550	8.00	203	2.50	64	550	96	3.57	90	4.43	113	2,437	10,840	3.44	1.56
0800.250.0600	8.00	203	2.50	64	600	105	3.59	91	4.41	112	2,646	11,770	3.53	1.60
0800.250.0650	8.00	203	2.50	64	650	114	3.63	92	4.37	111	2,838	12,624	3.66	1.66
0800.250.0700	8.00	203	2.50	64	700	123	3.65	93	4.35	110	3,043	13,536	3.75	1.70
0800.250.0750	8.00	203	2.50	64	750	131	3.72	94	4.28	109	3,209	14,274	3.90	1.77
0800.250.0800	8.00	203	2.50	64	800	140	3.79	96	4.21	107	3,368	14,982	4.06	1.84
0800.250.0850	8.00	203	2.50	64	850	149	3.86	98	4.14	105	3,520	15,658	4.23	1.92
0800.250.0900	8.00	203	2.50	64	900	158	3.93	100	4.07	103	3,665	16,303	4.39	1.99
0800.250.0950	8.00	203	2.50	64	950	166	4.02	102	3.98	101	3,776	16,796	4.61	2.09

Part Number	Length		Inside Diameter		Rate		Block Height		Travel		Load at Block Height		Weight	
	inch	mm	inch	mm	lbs/inch	N/mm	inch	mm	inch	mm	lbs	N	lbs	kg
0800.250.1000	8.00	203	2.50	64	1,000	175	4.12	104	3.88	99	3,877	17,246	4.80	2.18
0800.250.1100	8.00	203	2.50	64	1,100	193	4.07	103	3.93	100	4,317	19,203	4.85	2.20
0800.250.1200	8.00	203	2.50	64	1,200	210	4.30	109	3.70	94	4,437	19,737	5.33	2.42
0800.250.0175	8.00	203	2.50	64	175	31	2.68	68	5.32	135	931	4,141	1.90	0.86
0800.250.0225	8.00	203	2.50	64	225	39	2.71	69	5.29	134	1,191	5,298	2.03	0.92
0800.250.0275	8.00	203	2.50	64	275	48	2.89	73	5.11	130	1,406	6,254	2.21	1.00
0800.250.0325	8.00	203	2.50	64	325	57	3.05	77	4.95	126	1,609	7,157	2.46	1.12
0800.250.0375	8.00	203	2.50	64	375	66	3.23	82	4.77	121	1,787	7,949	2.76	1.25
0800.250.0425	8.00	203	2.50	64	425	74	3.17	80	4.83	123	2,053	9,132	2.76	1.25
0800.250.0475	8.00	203	2.50	64	475	83	3.40	86	4.60	117	2,184	9,715	3.12	1.42
0800.250.0525	8.00	203	2.50	64	525	92	3.42	87	4.58	116	2,402	10,685	3.22	1.46
0800.250.0825	8.00	203	2.50	64	825	144	3.94	100	4.06	103	3,348	14,893	4.32	1.96
0800.250.1025	8.00	203	2.50	64	1,025	179	4.06	103	3.94	100	4,033	17,940	4.74	2.15
10.00 (length in inches)														
1000.250.0100	10.00	254	2.50	64	100	18	3.28	83	6.72	171	671	2,985	2.11	0.96
1000.250.0150	10.00	254	2.50	64	150	26	3.52	89	6.48	165	972	4,324	2.51	1.14
1000.250.0162	10.00	254	2.50	64	162	28	3.61	92	6.39	162	1,035	4,604	2.67	1.21
1000.250.0175	10.00	254	2.50	64	175	31	3.32	84	6.68	170	1,169	5,200	2.51	1.14
1000.250.0200	10.00	254	2.50	64	200	35	3.39	86	6.61	168	1,323	5,885	2.53	1.15
1000.250.0225	10.00	254	2.50	64	225	39	3.39	86	6.61	168	1,487	6,614	2.62	1.19
1000.250.0250	10.00	254	2.50	64	250	44	3.72	94	6.28	160	1,569	6,979	3.06	1.39
1000.250.0275	10.00	254	2.50	64	275	48	3.77	96	6.23	158	1,715	7,629	3.17	1.44
1000.250.0300	10.00	254	2.50	64	300	53	3.85	98	6.15	156	1,844	8,202	3.33	1.51
1000.250.0325	10.00	254	2.50	64	325	57	3.94	100	6.06	154	1,971	8,767	3.49	1.58
1000.250.0350	10.00	254	2.50	64	350	61	4.02	102	5.98	152	2,092	9,306	3.66	1.66
1000.250.0375	10.00	254	2.50	64	375	66	4.11	104	5.89	150	2,208	9,822	3.83	1.74
1000.250.0400	10.00	254	2.50	64	400	70	4.24	108	5.76	146	2,302	10,240	4.05	1.84
1000.250.0425	10.00	254	2.50	64	425	74	4.36	111	5.64	143	2,399	10,671	4.25	1.93
1000.250.0450	10.00	254	2.50	64	450	79	4.16	106	5.84	148	2,630	11,699	4.03	1.83
1000.250.0500	10.00	254	2.50	64	500	88	4.43	113	5.57	141	2,786	12,393	4.52	2.05
1000.250.0525	10.00	254	2.50	64	525	92	4.59	117	5.41	137	2,840	12,633	4.80	2.18
1000.250.0550	10.00	254	2.50	64	550	96	4.43	113	5.57	141	3,061	13,616	4.63	2.10
1000.250.0575	10.00	254	2.50	64	575	101	4.57	116	5.43	138	3,121	13,883	4.87	2.21
1000.250.0600	10.00	254	2.50	64	600	105	4.74	120	5.26	134	3,158	14,047	5.18	2.35
1000.250.0650	10.00	254	2.50	64	650	114	4.77	121	5.23	133	3,401	15,128	5.31	2.41
1000.250.0700	10.00	254	2.50	64	700	123	4.80	122	5.20	132	3,644	16,209	5.44	2.47
1000.250.0750	10.00	254	2.50	64	750	131	4.85	123	5.15	131	3,860	17,170	5.62	2.55
1000.250.0800	10.00	254	2.50	64	800	140	4.91	125	5.09	129	4,074	18,122	5.80	2.63
10.00 (length in inches) XT Barrel (Extreme Travel)														
1000.2530.0300	10.00	254	2.5/3.0	64/76	300	53	3.15	80	6.85	174	2,050	9,119	3.46	1.57
1000.2530.0325	10.00	254	2.5/3.0	64/76	325	57	3.27	83	6.73	171	2,184	9,715	3.66	1.66
1000.2530.0350	10.00	254	2.5/3.0	64/76	350	61	3.39	86	6.61	168	2,311	10,281	3.86	1.75
1000.2530.0375	10.00	254	2.5/3.0	64/76	375	66	3.50	89	6.50	165	2,432	10,817	4.08	1.85
1000.2530.0400	10.00	254	2.5/3.0	64/76	400	70	3.62	92	6.38	162	2,546	11,325	4.30	1.95
12.00 (length in inches)														
1200.250.0090	12.00	305	2.50	64	90	16	3.82	97	8.18	208	736	3,274	2.51	1.14
1200.250.0100	12.00	305	2.50	64	100	18	3.51	89	8.49	216	849	3,777	2.31	1.05
1200.250.0110	12.00	305	2.50	64	110	19	3.53	90	8.47	215	932	4,146	2.45	1.11

COIL-OVER | 2.50" I.D.

Part Number	Length		Inside Diameter		Rate		Block Height		Travel		Load at Block Height		Weight	
	inch	mm	inch	mm	lbs/inch	N/mm	inch	mm	inch	mm	lbs	N	lbs	kg
1200.250.0120	12.00	305	2.50	64	120	21	3.66	93	8.34	212	1,001	4,453	2.62	1.19
1200.250.0125	12.00	305	2.50	64	125	22	3.95	100	8.05	205	1,007	4,479	2.92	1.32
1200.250.0130	12.00	305	2.50	64	130	23	4.38	111	7.62	194	991	4,408	3.26	1.48
1200.250.0140	12.00	305	2.50	64	140	25	4.01	102	7.99	203	1,118	4,973	3.05	1.38
1200.250.0150	12.00	305	2.50	64	150	26	4.19	106	7.81	199	1,171	5,209	3.29	1.49
1200.250.0165	12.00	305	2.50	64	165	29	3.94	100	8.06	205	1,330	5,916	3.00	1.36
1200.250.0175	12.00	305	2.50	64	175	31	4.16	106	7.84	199	1,372	6,103	3.26	1.48
1200.250.0185	12.00	305	2.50	64	185	32	3.95	100	8.05	205	1,488	6,619	3.11	1.41
1200.250.0200	12.00	305	2.50	64	200	35	4.07	103	7.93	202	1,585	7,050	3.28	1.49
1200.250.0225	12.00	305	2.50	64	225	39	4.46	113	7.54	192	1,696	7,544	3.80	1.72
1200.250.0250	12.00	305	2.50	64	250	44	4.43	113	7.57	192	1,893	8,420	3.86	1.75
1200.250.0275	12.00	305	2.50	64	275	48	4.48	114	7.52	191	2,067	9,194	4.01	1.82
1200.250.0300	12.00	305	2.50	64	300	53	4.96	126	7.04	179	2,112	9,395	4.67	2.12
1200.250.0325	12.00	305	2.50	64	325	57	5.02	128	6.98	177	2,270	10,097	4.84	2.20
1200.250.0350	12.00	305	2.50	64	350	61	5.12	130	6.88	175	2,408	10,711	5.05	2.29
1200.250.0375	12.00	305	2.50	64	375	66	5.22	133	6.78	172	2,542	11,307	5.27	2.39
1200.250.0400	12.00	305	2.50	64	400	70	5.32	135	6.68	170	2,670	11,877	5.51	2.50
1200.250.0425	12.00	305	2.50	64	425	74	5.43	138	6.57	167	2,794	12,428	5.73	2.60
1200.250.0450	12.00	305	2.50	64	450	79	5.22	133	6.78	172	3,052	13,576	5.51	2.50
1200.250.0475	12.00	305	2.50	64	475	83	5.34	136	6.66	169	3,162	14,065	5.75	2.61
1200.250.0525	12.00	305	2.50	64	525	92	5.65	144	6.35	161	3,334	14,830	6.37	2.89
1200.250.0600	12.00	305	2.50	64	600	105	5.82	148	6.18	157	3,706	16,485	6.83	3.10
1200.250.0625	12.00	305	2.50	64	625	109	5.62	143	6.38	162	3,985	17,726	6.59	2.99
1200.250.0800	12.00	305	2.50	64	800	140	5.92	150	6.08	155	4,864	21,636	7.49	3.40
12.00 (length in inches) XT Barrel (Extreme Travel)														
1200.2530.0125	12.00	305	2.5/3.0	64/76	125	22	2.83	72	9.17	233	1,146	5,098	2.67	1.21
1200.2530.0150	12.00	305	2.5/3.0	64/76	150	26	3.04	77	8.96	228	1,344	5,978	3.00	1.36
1200.2530.0175	12.00	305	2.5/3.0	64/76	175	31	3.29	84	8.71	221	1,524	6,779	3.37	1.53
1200.2530.0200	12.00	305	2.5/3.0	64/76	200	35	3.28	83	8.72	222	1,744	7,758	3.42	1.55
1200.2530.0225	12.00	305	2.5/3.0	64/76	225	39	3.61	92	8.39	213	1,888	8,398	3.95	1.79
1200.2530.0250	12.00	305	2.5/3.0	64/76	250	44	3.66	93	8.34	212	2,085	9,274	4.06	1.84
1200.2530.0275	12.00	305	2.5/3.0	64/76	275	48	3.70	94	8.30	211	2,282	10,151	4.19	1.90
1200.2530.0300	12.00	305	2.5/3.0	64/76	300	53	4.17	106	7.83	199	2,350	10,453	4.90	2.22
1200.2530.0325	12.00	305	2.5/3.0	64/76	325	57	4.25	108	7.75	197	2,519	11,205	5.07	2.30
1200.2530.0350	12.00	305	2.5/3.0	64/76	350	61	4.38	111	7.62	194	2,666	11,859	5.34	2.42
1200.2530.0375	12.00	305	2.5/3.0	64/76	375	66	4.17	106	7.83	199	2,934	13,051	5.07	2.30
1200.2530.0400	12.00	305	2.5/3.0	64/76	400	70	4.31	109	7.69	196	3,077	13,687	5.31	2.41
1200.2530.0425	12.00	305	2.5/3.0	64/76	425	74	4.45	113	7.56	192	3,213	14,292	5.55	2.52
14.00 (length in inches)														
1400.250.0080	14.00	356	2.50	64	80	14	3.93	100	10.07	256	806	3,585	2.56	1.16
1400.250.0090	14.00	356	2.50	64	90	16	4.81	122	9.19	234	827	3,679	3.39	1.54
1400.250.0095	14.00	356	2.50	64	95	17	4.59	117	9.41	239	894	3,977	3.24	1.47
1400.250.0100	14.00	356	2.50	64	100	18	4.39	112	9.61	244	961	4,275	3.09	1.40
1400.250.0110	14.00	356	2.50	64	110	19	5.03	128	8.97	228	987	4,390	3.77	1.71
1400.250.0120	14.00	356	2.50	64	120	21	4.55	116	9.45	240	1,134	5,044	3.48	1.58
1400.250.0130	14.00	356	2.50	64	130	23	4.84	123	9.16	233	1,190	5,293	3.72	1.69
1400.250.0140	14.00	356	2.50	64	140	25	4.53	115	9.47	241	1,326	5,898	3.48	1.58
1400.250.0150	14.00	356	2.50	64	150	26	4.72	120	9.28	236	1,391	6,187	3.72	1.69

Conventional Front

Part Number	Length		Outside Diameter		Rate		Block Height		Travel		Load at Block Height		Weight	
	inch	mm	inch	mm	lbs/inch	N/mm	inch	mm	inch	mm	lbs	N	lbs	kg
8.75 (length in inches) - 5.75" O.D.														
0875.575.0300	8.75	222	5.75	146	300	53	2.66	68	6.05	154	1,815	8,073	3.95	1.79
0875.575.0325	8.75	222	5.75	146	325	57	2.76	70	5.95	152	1,933	8,598	4.19	1.90
0875.575.0350	8.75	222	5.75	146	350	61	2.84	72	5.87	150	2,054	9,137	4.32	1.96
0875.575.0375	8.75	222	5.75	146	375	66	2.91	74	5.80	148	2,175	9,675	5.11	2.32
0875.575.0400	8.75	222	5.75	146	400	70	2.58	66	6.13	156	2,452	10,907	2.64	1.20
0875.575.0425	8.75	222	5.75	146	425	74	2.92	74	5.79	148	2,462	10,951	4.61	2.09
0875.575.0450	8.75	222	5.75	146	450	79	2.84	72	5.87	150	2,640	11,743	4.65	2.11
0875.575.0460	8.75	222	5.75	146	460	81	2.97	75	5.74	147	2,641	11,748	4.78	2.17
0875.575.0475	8.75	222	5.75	146	475	83	3.02	77	5.69	145	2,703	12,023	4.94	2.24
0875.575.0500	8.75	222	5.75	146	500	88	2.65	67	6.06	155	3,031	13,482	4.65	2.11
0875.575.0525	8.75	222	5.75	146	525	92	3.07	78	5.64	144	2,961	13,171	5.09	2.31
0875.575.0550	8.75	222	5.75	146	550	96	2.99	76	5.72	146	3,145	13,990	5.14	2.33
0875.575.0575	8.75	222	5.75	146	575	101	3.17	81	5.54	141	3,184	14,163	5.42	2.46
0875.575.0600	8.75	222	5.75	146	600	105	3.04	77	5.67	145	3,401	15,128	5.29	2.40
0875.575.0625	8.75	222	5.75	146	625	109	3.22	82	5.49	140	3,429	15,253	5.58	2.53
0875.575.0650	8.75	222	5.75	146	650	114	3.21	82	5.50	140	3,574	15,898	5.86	2.66
0875.575.0675	8.75	222	5.75	146	675	118	3.28	83	5.44	139	3,669	16,320	5.75	2.61
0875.575.0700	8.75	222	5.75	146	700	123	3.08	78	5.63	144	3,941	17,530	5.49	2.49
0875.575.0750	8.75	222	5.75	146	750	131	3.43	87	5.28	135	3,961	17,619	6.26	2.84
0875.575.0800	8.75	222	5.75	146	800	140	3.48	88	5.23	134	4,184	18,611	6.70	3.04
0875.575.0825	8.75	222	5.75	146	825	144	3.48	88	5.23	134	4,315	19,194	6.70	3.04
0875.575.0850	8.75	222	5.75	146	850	149	3.58	91	5.13	131	4,359	19,390	7.07	3.21
0875.575.0875	8.75	222	5.75	146	875	153	3.26	83	5.45	139	4,769	21,213	6.81	3.09
0875.575.0900	8.75	222	5.75	146	900	158	3.69	94	5.03	128	4,523	20,119	7.69	3.49
0875.575.0925	8.75	222	5.75	146	925	162	3.74	95	4.97	127	4,601	20,466	7.65	3.47
0875.575.0950	8.75	222	5.75	146	950	166	3.74	95	4.97	127	4,726	21,022	7.65	3.47
0875.575.0975	8.75	222	5.75	146	975	171	3.74	95	4.97	127	4,849	21,569	7.65	3.47
0875.575.1000	8.75	222	5.75	146	1,000	175	3.79	96	4.92	126	4,923	21,898	7.98	3.62
0875.575.1025	8.75	222	5.75	146	1,025	179	3.79	96	4.92	126	5,046	22,446	7.98	3.62
0875.575.1150	8.75	222	5.75	146	1,150	201	4.49	114	4.22	108	4,855	21,596	9.92	4.50
0875.575.1200	8.75	222	5.75	146	1,200	210	3.80	97	4.91	125	5,893	26,213	8.35	3.79
0875.575.1225	8.75	222	5.75	146	1,225	214	3.97	101	4.75	121	5,812	25,853	8.84	4.01
0875.575.1325	8.75	222	5.75	146	1,325	232	4.07	103	4.64	119	6,153	27,370	9.26	4.20
0875.575.1400	8.75	222	5.75	146	1,400	245	3.85	98	4.86	124	6,807	30,279	8.55	3.88
0875.575.1500	8.75	222	5.75	146	1,500	263	4.22	107	4.49	115	6,741	29,985	9.90	4.49
0875.575.1525	8.75	222	5.75	146	1,525	267	4.22	107	4.49	115	6,853	30,484	9.90	4.49
0875.575.1550	8.75	222	5.75	146	1,550	271	3.84	98	4.87	124	7,541	33,544	9.83	4.46
0875.575.1600	8.75	222	5.75	146	1,600	280	4.04	103	4.67	119	7,466	33,210	9.37	4.25
0875.575.1700	8.75	222	5.75	146	1,700	298	4.29	109	4.42	113	7,518	33,442	10.40	4.72
0875.575.1750	8.75	222	5.75	146	1,750	306	4.14	105	4.57	117	7,995	35,563	9.76	4.43
0875.575.1800	8.75	222	5.75	146	1,800	315	4.24	108	4.47	114	8,048	35,799	10.18	4.62
0875.575.1850	8.75	222	5.75	146	1,850	324	3.64	92	5.07	130	9,381	41,729	9.52	4.32
0875.575.1900	8.75	222	5.75	146	1,900	333	4.24	108	4.47	114	8,496	37,792	10.18	4.62
0875.575.2000	8.75	222	5.75	146	2,000	350	4.29	109	4.42	113	8,845	39,344	10.40	4.72
0875.575.2100	8.75	222	5.75	146	2,100	368	4.34	110	4.37	112	9,185	40,857	10.60	4.81
9.50 (length in inches) - 5.00" O.D.														
0950.500.0200	9.50	241	5.00	127	200	35	2.54	64	6.96	177	1,391	6,187	3.17	1.44
0950.500.0250	9.50	241	5.00	127	250	44	2.58	65	6.92	176	1,730	7,695	3.33	1.51
0950.500.0300	9.50	241	5.00	127	300	53	2.87	73	6.63	168	1,990	8,852	3.92	1.78

Conventional Front



Part Number	Length		Outside Diameter		Rate		Block Height		Travel		Load at Block Height		Weight	
	inch	mm	inch	mm	lbs/inch	N/mm	inch	mm	inch	mm	lbs	N	lbs	kg
0950.500.0350	9.50	241	5.00	127	350	61	2.92	74	6.58	167	2,302	10,240	4.32	1.96
0950.500.0400	9.50	241	5.00	127	400	70	3.09	78	6.41	163	2,565	11,410	4.72	2.14
0950.500.0450	9.50	241	5.00	127	450	79	3.54	90	5.96	151	2,682	11,930	5.42	2.46
0950.500.0500	9.50	241	5.00	127	500	88	3.78	96	5.72	145	2,861	12,726	5.99	2.72
0950.500.0550	9.50	241	5.00	127	550	96	3.37	85	6.13	156	3,373	15,004	5.25	2.38
0950.500.0600	9.50	241	5.00	127	600	105	3.60	91	5.90	150	3,541	15,751	5.80	2.63
0950.500.0650	9.50	241	5.00	127	650	114	3.66	93	5.84	148	3,797	16,890	5.97	2.71
0950.500.0700	9.50	241	5.00	127	700	123	3.93	100	5.57	141	3,895	17,326	6.63	3.01
0950.500.0750	9.50	241	5.00	127	750	131	3.99	101	5.51	140	4,128	18,362	6.83	3.10
0950.500.0775	9.50	241	5.00	127	775	136	4.03	102	5.48	139	4,242	18,867	6.93	3.14
0950.500.0800	9.50	241	5.00	127	800	140	4.06	103	5.44	138	4,355	19,372	7.03	3.19
0950.500.0850	9.50	241	5.00	127	850	149	4.35	110	5.15	131	4,377	19,470	7.69	3.49
0950.500.0900	9.50	241	5.00	127	900	158	4.21	107	5.29	134	4,760	21,173	7.49	3.40
0950.500.0950	9.50	241	5.00	127	950	166	4.55	115	4.95	126	4,704	20,924	8.24	3.74
0950.500.1000	9.50	241	5.00	127	1,000	175	4.65	118	4.85	123	4,852	21,583	8.55	3.88
0950.500.1050	9.50	241	5.00	127	1,050	184	4.54	115	4.96	126	5,205	23,153	8.33	3.78
0950.500.1100	9.50	241	5.00	127	1,100	193	4.61	117	4.89	124	5,382	23,940	8.55	3.88
0950.500.1200	9.50	241	5.00	127	1,200	210	5.05	128	4.45	113	5,340	23,753	10.01	4.54
0950.500.1250	9.50	241	5.00	127	1,250	219	4.90	124	4.60	117	5,750	25,577	9.68	4.39
0950.500.1300	9.50	241	5.00	127	1,300	228	5.34	135	4.16	106	5,413	24,078	10.84	4.92
0950.500.1400	9.50	241	5.00	127	1,400	245	5.03	127	4.47	114	6,259	27,841	10.14	4.60
0950.500.1500	9.50	241	5.00	127	1,500	263	5.35	136	4.15	105	6,218	27,659	11.06	5.02
0950.500.1600	9.50	241	5.00	127	1,600	280	5.57	141	3.93	100	6,289	27,975	11.97	5.43
9.50 (length in inches) - 5.50" O.D.														
0950.550.0350	9.50	241	5.50	140	350	61	3.08	78	6.42	163	2,247	9,995	5.40	2.45
0950.550.0400	9.50	241	5.50	140	400	70	3.37	85	6.13	156	2,452	10,907	5.44	2.47
0950.550.0450	9.50	241	5.50	140	450	79	3.10	78	6.40	163	2,880	12,811	5.31	2.41
0950.550.0500	9.50	241	5.50	140	500	88	3.26	83	6.24	158	3,117	13,865	5.77	2.62
0950.550.0550	9.50	241	5.50	140	550	96	3.53	89	5.97	152	3,281	14,595	6.41	2.91
0950.550.0575	9.50	241	5.50	140	575	101	3.59	91	5.91	150	3,397	15,111	6.59	2.99
0950.550.0600	9.50	241	5.50	140	600	105	3.71	94	5.79	147	3,473	15,449	6.92	3.14
0950.550.0625	9.50	241	5.50	140	625	109	3.74	95	5.76	146	3,600	16,011	7.02	3.18
0950.550.0650	9.50	241	5.50	140	650	114	3.77	95	5.73	146	3,726	16,574	7.12	3.23
0950.550.0675	9.50	241	5.50	140	675	118	3.83	97	5.68	144	3,829	17,032	7.33	3.32
0950.550.0700	9.50	241	5.50	140	700	123	3.88	98	5.62	143	3,932	17,490	7.54	3.42
0950.550.0750	9.50	241	5.50	140	750	131	4.07	103	5.43	138	4,068	18,095	8.04	3.65
0950.550.0800	9.50	241	5.50	140	800	140	4.13	105	5.37	136	4,292	19,092	8.27	3.75
0950.550.0850	9.50	241	5.50	140	850	149	4.19	106	5.31	135	4,511	20,066	8.49	3.85
0950.550.0875	9.50	241	5.50	140	875	153	4.05	103	5.45	138	4,765	21,196	8.15	3.70
0950.550.0900	9.50	241	5.50	140	900	158	4.37	111	5.13	130	4,616	20,533	9.54	4.33
0950.550.0950	9.50	241	5.50	140	950	166	4.52	115	4.98	126	4,734	21,058	9.52	4.32
0950.550.1000	9.50	241	5.50	140	1,000	175	4.53	115	4.97	126	4,974	22,125	9.90	4.49
0950.550.1025	9.50	241	5.50	140	1,025	179	5.22	132	4.28	109	4,386	19,510	11.84	5.37
0950.550.1050	9.50	241	5.50	140	1,050	184	4.84	123	4.66	118	4,896	21,778	10.87	4.93
0950.550.1100	9.50	241	5.50	140	1,100	193	4.15	105	5.35	136	5,889	26,195	9.94	4.51
0950.550.1150	9.50	241	5.50	140	1,150	201	4.57	116	4.93	125	5,671	25,226	10.20	4.63
0950.550.1200	9.50	241	5.50	140	1,200	210	4.92	125	4.58	116	5,494	24,438	11.28	5.12
0950.550.1250	9.50	241	5.50	140	1,250	219	4.76	121	4.74	120	5,920	26,333	10.89	4.94
0950.550.1300	9.50	241	5.50	140	1,300	228	5.17	131	4.33	110	5,634	25,061	12.12	5.50
0950.550.1350	9.50	241	5.50	140	1,350	236	5.00	127	4.50	114	6,069	26,996	11.70	5.31

Conventional Front

Part Number	Length		Outside Diameter		Rate		Block Height		Travel		Load at Block Height		Weight	
	inch	mm	inch	mm	lbs/inch	N/mm	inch	mm	inch	mm	lbs	N	lbs	kg
0950.550.1400	9.50	241	5.50	140	1,400	245	4.88	124	4.62	117	6,463	28,749	11.39	5.17
0950.550.1450	9.50	241	5.50	140	1,450	254	5.29	134	4.21	107	6,102	27,143	12.67	5.75
0950.550.1500	9.50	241	5.50	140	1,500	263	5.13	130	4.37	111	6,560	29,180	12.23	5.55

Conventional Rear

Part Number	Length		Inside Diameter		Rate		Block Height		Travel		Load at Block Height		Weight	
	inch	mm	inch	mm	lbs/inch	N/mm	inch	mm	inch	mm	lbs	N	lbs	kg
Loaded Height Rear (NASCAR Specs)														
LH1.500.0125	15.79	401	5.00	127	125	22	4.10	104	11.70	297	1,462	6,503	5.84	2.65
LH1.500.0150	14.88	378	5.00	127	150	26	3.62	92	11.25	286	1,687	7,504	5.05	2.29
LH1.500.0175	14.21	361	5.00	127	175	31	3.81	97	10.38	264	1,817	8,082	5.51	2.50
LH1.500.0200	13.70	348	5.00	127	200	35	3.76	96	9.94	252	1,987	8,839	5.53	2.51
LH1.500.0225	13.31	338	5.00	127	225	39	3.73	95	9.58	243	2,155	9,586	5.58	2.53
LH1.500.0300	12.52	318	5.00	127	300	53	4.40	111	8.13	207	2,440	10,854	7.14	3.24
LH1.500.0325	12.36	314	5.00	127	325	57	3.84	98	8.51	216	2,765	12,299	6.08	2.76
LH1.500.0350	12.20	310	5.00	127	350	61	3.91	99	8.29	211	2,900	12,900	6.28	2.85
LH1.500.0375	12.05	306	5.00	127	375	66	4.01	101	8.06	205	3,021	13,438	6.55	2.97
LH1.500.0400	11.93	303	5.00	127	400	70	4.07	103	7.87	200	3,149	14,007	6.74	3.06
LH1.500.0425	11.85	301	5.00	127	425	74	4.02	102	7.83	199	3,327	14,799	6.59	2.99
LH1.500.0430	12.01	305	5.00	127	430	75	4.17	106	7.83	199	3,369	14,986	7.01	3.18
LH1.500.0450	11.77	299	5.00	127	450	79	4.05	103	7.70	196	3,465	15,413	6.79	3.08
LH1.500.0475	11.65	296	5.00	127	475	83	4.18	106	7.49	190	3,558	15,827	7.12	3.23
LH1.500.0500	11.61	295	5.00	127	500	88	4.21	107	7.39	188	3,693	16,427	7.05	3.20
LH1.500.0525	11.54	293	5.00	127	525	92	4.44	113	7.09	180	3,722	16,556	7.80	3.54
LH1.500.0550	11.46	291	5.00	127	550	96	4.00	101	7.47	190	4,109	18,278	6.88	3.12
LH1.500.0575	11.42	290	5.00	127	575	101	4.16	106	7.26	184	4,173	18,562	7.25	3.29
LH1.500.0600	11.38	289	5.00	127	600	105	4.29	109	7.08	180	4,230	18,816	7.60	3.45
LH1.500.0650	11.26	286	5.00	127	650	114	4.62	117	6.66	169	4,328	19,252	8.42	3.82
LH1.500.0700	11.18	284	5.00	127	700	123	4.96	126	6.24	158	4,367	19,425	7.89	3.58
LH1.500.0750	11.14	283	5.00	127	750	131	4.72	120	6.41	163	4,808	21,387	8.82	4.00
LH1.500.0800	11.18	284	5.00	127	800	140	5.75	146	5.43	138	4,259	18,945	11.39	5.17
LH1.500.0850	11.14	283	5.00	127	850	149	5.17	131	5.97	152	4,970	22,108	10.07	4.57
LH1.500.0900	11.10	282	5.00	127	900	158	5.61	142	5.49	140	4,909	21,836	11.22	5.09
LH1.500.0925	11.10	282	5.00	127	925	162	5.46	139	5.64	143	5,216	23,202	10.89	4.94
LH1.500.0950	11.10	282	5.00	127	950	166	5.32	135	5.79	147	5,448	24,234	10.58	4.80
LH1.500.0975	11.10	282	5.00	127	975	171	5.24	133	5.86	149	5,528	24,590	10.40	4.72
LH1.500.1000	11.10	282	5.00	127	1,000	175	5.54	141	5.57	141	5,527	24,585	11.77	5.34
LH1.500.1400	11.10	282	5.00	127	1,400	245	5.97	152	5.13	130	7,181	31,943	13.51	6.13
11.00 (length in inches) - 5.00" O.D.														
1100.500.0125	11.00	279	5.00	127	125	22	2.41	61	8.59	218	1,073	4,773	2.93	1.33
1100.500.0150	11.00	279	5.00	127	150	26	2.55	64	8.45	215	1,268	5,640	3.22	1.46
1100.500.0175	11.00	279	5.00	127	175	31	2.73	69	8.27	210	1,447	6,437	3.59	1.63
1100.500.0200	11.00	279	5.00	127	200	35	2.89	73	8.11	206	1,621	7,211	3.97	1.80
1100.500.0225	11.00	279	5.00	127	225	39	3.16	80	7.84	199	1,763	7,842	4.52	2.05
1100.500.0250	11.00	279	5.00	127	250	44	3.17	80	7.83	199	1,957	8,705	4.61	2.09
1100.500.0275	11.00	279	5.00	127	275	48	3.18	80	7.82	199	2,150	9,564	4.67	2.12
1100.500.0300	11.00	279	5.00	127	300	53	3.80	96	7.20	183	2,159	9,604	5.93	2.69

Conventional Rear



Part Number	Length		Outside Diameter		Rate		Block Height		Travel		Load at Block Height		Weight	
	inch	mm	inch	mm	lbs/inch	N/mm	inch	mm	inch	mm	lbs	N	lbs	kg
1100.500.0325	11.00	279	5.00	127	325	57	3.33	84	7.67	195	2,493	11,089	5.07	2.30
1100.500.0350	11.00	279	5.00	127	350	61	3.65	92	7.35	187	2,574	11,450	5.75	2.61
1100.500.0375	11.00	279	5.00	127	375	66	4.01	101	6.99	178	2,622	11,663	6.55	2.97
1100.500.0400	11.00	279	5.00	127	400	70	3.83	97	7.17	182	2,867	12,753	6.22	2.82
1100.500.0425	11.00	279	5.00	127	425	74	3.90	99	7.10	180	3,018	13,425	6.44	2.92
1100.500.0450	11.00	279	5.00	127	450	79	3.78	96	7.22	183	3,249	14,452	6.22	2.82
1100.500.0500	11.00	279	5.00	127	500	88	4.03	102	6.97	177	3,486	15,506	6.83	3.10
1100.500.0600	11.00	279	5.00	127	600	105	4.55	115	6.45	164	3,871	17,219	8.20	3.72
1100.500.0650	11.00	279	5.00	127	650	114	4.69	119	6.31	160	4,104	18,255	9.06	4.11
1100.500.0700	11.00	279	5.00	127	700	123	4.69	119	6.31	160	4,420	19,661	8.66	3.93
1100.500.0750	11.00	279	5.00	127	750	131	4.69	119	6.31	160	4,736	21,067	8.75	3.97
1100.500.0800	11.00	279	5.00	127	800	140	4.76	121	6.24	158	4,988	22,188	8.99	4.08
1100.500.0850	11.00	279	5.00	127	850	149	4.80	122	6.20	157	5,267	23,429	9.23	4.19
1100.500.0900	11.00	279	5.00	127	900	158	4.96	126	6.04	153	5,435	24,176	9.10	4.13
13.00 (length in inches) - 5.00" O.D.														
1300.500.0125	13.00	330	5.00	127	125	22	2.90	73	10.10	257	1,262	5,614	3.70	1.68
1300.500.0150	13.00	330	5.00	127	150	26	3.05	77	9.95	253	1,492	6,637	4.06	1.84
1300.500.0175	13.00	330	5.00	127	175	31	3.49	88	9.51	242	1,663	7,397	4.96	2.25
1300.500.0180	13.00	330	5.00	127	180	32	3.23	82	9.77	248	1,758	7,820	4.47	2.03
1300.500.0200	13.00	330	5.00	127	200	35	3.46	88	9.54	242	1,907	8,483	4.98	2.26
1300.500.0225	13.00	330	5.00	127	225	39	3.70	94	9.30	236	2,092	9,306	5.53	2.51
1300.500.0250	13.00	330	5.00	127	250	44	4.01	102	8.99	228	2,248	10,000	6.19	2.81
1300.500.0275	13.00	330	5.00	127	275	48	4.38	111	8.62	219	2,371	10,547	7.01	3.18
1300.500.0300	13.00	330	5.00	127	300	53	4.10	104	8.90	226	2,671	11,881	6.52	2.96
1300.500.0350	13.00	330	5.00	127	350	61	4.24	107	8.76	223	3,066	13,638	6.96	3.16
1300.500.0375	13.00	330	5.00	127	375	66	4.31	109	8.69	221	3,258	14,492	7.19	3.26
1300.500.0400	13.00	330	5.00	127	400	70	4.41	112	8.59	218	3,434	15,275	7.47	3.39
1300.500.0450	13.00	330	5.00	127	450	79	4.65	118	8.35	212	3,757	16,712	8.09	3.67
1300.500.0500	13.00	330	5.00	127	500	88	4.93	125	8.07	205	4,036	17,953	8.84	4.01
1300.500.0550	13.00	330	5.00	127	550	96	5.28	134	7.72	196	4,248	18,896	9.72	4.41
1300.500.0600	13.00	330	5.00	127	600	105	5.57	141	7.43	189	4,458	19,830	10.56	4.79
1300.500.0625	13.00	330	5.00	127	625	109	6.31	160	6.69	170	4,183	18,607	12.89	5.85
1300.500.0700	13.00	330	5.00	127	700	123	5.59	142	7.41	188	5,186	23,068	10.82	4.91
15.00 (length in inches) - 5.00" O.D.														
1500.500.0125	15.00	381	5.00	127	125	22	4.10	104	10.90	277	1,363	6,063	5.82	2.64
1500.500.0150	15.00	381	5.00	127	150	26	3.86	98	11.14	283	1,670	7,428	5.58	2.53
1500.500.0165	15.00	381	5.00	127	165	29	5.05	128	9.95	253	1,642	7,304	7.89	3.58
1500.500.0175	15.00	381	5.00	127	175	31	4.09	104	10.91	277	1,908	8,487	6.13	2.78
1500.500.0200	15.00	381	5.00	127	200	35	4.36	111	10.64	270	2,128	9,466	6.74	3.06
1500.500.0225	15.00	381	5.00	127	225	39	4.63	118	10.37	263	2,333	10,378	7.41	3.36
1500.500.0250	15.00	381	5.00	127	250	44	4.63	118	10.37	263	2,593	11,534	7.52	3.41
1500.500.0275	15.00	381	5.00	127	275	48	4.65	118	10.35	263	2,846	12,660	7.67	3.48
1500.500.0300	15.00	381	5.00	127	300	53	5.02	128	9.98	253	2,994	13,318	8.53	3.87
16.00 (length in inches) - 5.00" O.D.														
1600.500.0100	16.00	406	5.00	127	100	18	3.34	84	12.66	322	1,265	5,627	4.36	1.98
1600.500.0125	16.00	406	5.00	127	125	22	3.80	96	12.20	310	1,525	6,784	5.25	2.38
1600.500.0150	16.00	406	5.00	127	150	26	3.94	100	12.06	306	1,810	8,051	5.62	2.55
1600.500.0175	16.00	406	5.00	127	175	31	4.17	106	11.83	300	2,070	9,208	6.19	2.81

Conventional Rear

Part Number	Length		Outside Diameter		Rate		Block Height		Travel		Load at Block Height		Weight	
	inch	mm	inch	mm	lbs/inch	N/mm	inch	mm	inch	mm	lbs	N	lbs	kg
1600.500.0200	16.00	406	5.00	127	200	35	4.79	121	11.21	285	2,241	9,968	7.52	3.41
1600.500.0225	16.00	406	5.00	127	225	39	4.74	120	11.26	286	2,533	11,267	7.54	3.42
1600.500.0250	16.00	406	5.00	127	250	44	5.11	129	10.89	277	2,723	12,112	8.40	3.81
Rear Plantinum Springs - 5.00" O.D.														
ER16.0075	16.00	406	5.00	127	75	13	2.47	62	13.53	344	1,015	4,515	3.10	1.41
ER16.0085	16.00	406	5.00	127	85	15	2.57	65	13.43	341	1,142	5,080	3.25	1.48
ER16.0100	16.00	406	5.00	127	100	18	2.92	74	13.08	332	1,308	5,818	3.90	1.78
ER16.0125	16.00	406	5.00	127	125	22	3.07	78	12.93	328	1,616	7,188	4.60	2.10
ER16.0150	16.00	406	5.00	127	150	26	3.55	90	12.45	316	1,868	8,309	5.10	2.33
ER16.0175	16.00	406	5.00	127	175	31	3.68	93	12.32	313	2,156	9,590	5.60	2.56
ER16.0200	16.00	406	5.00	127	200	35	3.84	97	12.16	309	2,432	10,818	6.10	2.79
ER15.0225	15.00	381	5.00	127	225	39	4.08	104	10.92	277	2,457	10,929	6.55	3.00
ER15.0250	15.00	381	5.00	127	250	44	4.29	109	10.71	272	2,678	11,912	6.90	3.16
ER14.0275	14.00	356	5.00	127	275	48	4.01	102	9.99	254	2,747	12,219	6.20	2.84
ER13.0300	13.00	330	5.00	127	300	53	3.70	94	9.30	236	2,790	12,410	6.44	2.95
ER14.0300	14.00	356	5.00	127	300	53	4.35	110	9.65	246	2,895	12,877	6.02	2.76
ER13.0325	13.00	330	5.00	127	325	57	3.75	95	9.25	235	3,006	13,371	6.59	3.02
ER14.0325	14.00	356	5.00	127	325	57	4.29	109	9.71	247	3,156	14,038	7.20	3.30
ER13.0350	13.00	330	5.00	127	350	61	3.83	97	9.17	233	3,210	14,278	6.81	3.12
ER135.0350	13.50	343	5.00	127	350	61	4.01	102	9.49	241	3,322	14,776	7.47	3.42
ER13.0375	13.00	330	5.00	127	375	66	4.16	105	8.84	225	3,315	14,745	7.04	3.22
ER14.0375	14.00	356	5.00	127	375	66	4.46	113	9.54	243	3,578	15,915	7.67	3.51
ER13.0400	13.00	330	5.00	127	400	70	3.97	101	9.03	229	3,612	16,066	7.30	3.34
ER14.0400	14.00	356	5.00	127	400	70	4.74	120	9.26	236	3,704	16,475	8.45	3.87
ER12.0425	12.00	305	5.00	127	425	74	3.82	97	8.18	208	3,477	15,465	6.99	3.20
ER13.0425	13.00	330	5.00	127	425	74	4.68	119	8.32	211	3,536	15,727	7.75	3.55
ER12.0450	12.00	305	5.00	127	450	79	3.90	99	8.10	206	3,645	16,212	7.26	3.33
ER13.0450	13.00	330	5.00	127	450	79	4.80	122	8.20	208	3,690	16,412	8.30	3.81
ER12.0475	12.00	305	5.00	127	475	83	4.05	103	7.95	202	3,776	16,795	7.61	3.49
ER13.0475	13.00	330	5.00	127	475	83	4.86	123	8.14	207	3,867	17,200	8.55	3.92
ER12.0500	12.00	305	5.00	127	500	88	3.94	100	8.06	205	4,030	17,925	7.48	3.43
ER13.0500	13.00	330	5.00	127	500	88	4.71	119	8.29	211	4,145	18,437	8.55	3.92
ER12.0525	12.00	305	5.00	127	525	92	4.16	106	7.84	199	4,116	18,308	7.75	3.55
ER12.0550	12.00	305	5.00	127	550	96	4.05	103	7.95	202	4,373	19,451	7.70	3.53
ER12.0600	12.00	305	5.00	127	600	105	4.10	104	7.90	201	4,740	21,083	8.00	3.67
ER12.0650	12.00	305	5.00	127	650	114	4.62	117	7.38	188	4,797	21,337	8.80	4.04
ER115.0700	11.50	292	5.00	127	700	123	4.43	112	7.07	180	4,949	22,013	8.30	3.81
ER115.0750	11.50	292	5.00	127	750	131	4.62	117	6.88	175	5,160	22,952	9.05	4.15
ER115.0800	11.50	292	5.00	127	800	140	4.79	122	6.71	170	5,368	23,877	9.35	4.29
ER115.0850	11.50	292	5.00	127	850	149	4.74	120	6.76	172	5,746	25,558	9.65	4.43
ER115.0900	11.50	292	5.00	127	900	158	5.03	128	6.47	164	5,823	25,900	10.10	4.64
ER115.0950	11.50	292	5.00	127	950	166	5.11	130	6.39	162	6,071	27,003	10.45	4.80
ER115.1000	11.50	292	5.00	127	1,000	175	4.92	125	6.58	167	6,580	29,267	9.85	4.52
Torque Link Spring														
0675.500.1000	6.75	171	5.00	127	500/1000	88/175	3.66	93	3.09	78	2,711	12,059	6.15	2.79
0675.500.1500	6.75	171	5.00	127	750/1500	131/263	3.30	83	3.45	88	3,196	14,216	6.61	3.00
0700.500.0600	7.00	178	5.00	127	600	105	2.64	67	4.36	111	2,618	11,645	3.92	1.78
0700.500.0800	7.00	178	5.00	127	800	140	2.76	70	4.24	108	3,390	15,079	4.43	2.01

COIL-OVER | 2.50" I.D. (Off-Road Silver)



Part Number	Length		Outside Diameter		Rate		Block Height		Travel		Load at Block Height		Weight	
	inch	mm	inch	mm	lbs/inch	N/mm	inch	mm	inch	mm	lbs	N	lbs	kg
8.00 (length in inches) (Off-Road Silver)														
0800.250.0150S	8.00	203	2.50	64	150	26	2.55	65	5.45	138	817	3,634	1.63	0.74
0800.250.0200S	8.00	203	2.50	64	200	35	2.67	68	5.33	135	1,065	4,737	1.94	0.88
0800.250.0250S	8.00	203	2.50	64	250	44	2.83	72	5.17	131	1,291	5,743	2.12	0.96
0800.250.0300S	8.00	203	2.50	64	300	53	2.96	75	5.04	128	1,513	6,730	2.34	1.06
0800.250.0350S	8.00	203	2.50	64	350	61	3.12	79	4.88	124	1,709	7,602	2.58	1.17
0800.250.0400S	8.00	203	2.50	64	400	70	3.08	78	4.92	125	1,968	8,754	2.62	1.19
0800.250.0500S	8.00	203	2.50	64	500	88	3.28	83	4.72	120	2,358	10,489	3.00	1.36
0800.250.0550S	8.00	203	2.50	64	550	96	3.57	90	4.43	113	2,437	10,840	3.44	1.56
0800.250.0600S	8.00	203	2.50	64	600	105	3.59	91	4.41	112	2,646	11,770	3.53	1.60
10.00 (length in inches) (Off-Road Silver)														
1000.250.0100S	10.00	254	2.50	64	100	18	3.28	83	6.72	171	671	2,985	2.12	0.96
1000.250.0150S	10.00	254	2.50	64	150	26	3.52	89	6.48	165	972	4,324	2.51	1.14
1000.250.0175S	10.00	254	2.50	64	175	31	3.32	84	6.68	170	1,169	5,200	2.51	1.14
1000.250.0200S	10.00	254	2.50	64	200	35	3.39	86	6.61	168	1,323	5,885	2.53	1.15
1000.250.0225S	10.00	254	2.50	64	225	39	3.39	86	6.61	168	1,487	6,614	2.62	1.19
1000.250.0250S	10.00	254	2.50	64	250	44	3.72	94	6.28	160	1,569	6,979	3.06	1.39
1000.250.0275S	10.00	254	2.50	64	275	48	3.77	96	6.23	158	1,715	7,629	3.17	1.44
1000.250.0300S	10.00	254	2.50	64	300	53	3.85	98	6.15	156	1,844	8,202	3.33	1.51
1000.250.0325S	10.00	254	2.50	64	325	57	3.94	100	6.06	154	1,971	8,767	3.48	1.58
1000.250.0350S	10.00	254	2.50	64	350	61	4.02	102	5.98	152	2,092	9,306	3.66	1.66
1000.250.0375S	10.00	254	2.50	64	375	66	4.11	104	5.89	150	2,208	9,822	3.83	1.74
1000.250.0400S	10.00	254	2.50	64	400	70	4.24	108	5.76	146	2,302	10,240	4.06	1.84
1000.250.0425S	10.00	254	2.50	64	425	74	4.36	111	5.64	143	2,399	10,671	4.25	1.93
1000.250.0450S	10.00	254	2.50	64	450	79	4.16	106	5.84	148	2,630	11,699	4.03	1.83
1000.250.0500S	10.00	254	2.50	64	500	88	4.43	113	5.57	141	2,786	12,393	4.52	2.05
1000.250.0550S	10.00	254	2.50	64	550	96	4.43	113	5.57	141	3,061	13,616	4.63	2.10
1000.250.0600S	10.00	254	2.50	64	600	105	4.74	120	5.26	134	3,158	14,047	5.18	2.35
1000.250.0650S	10.00	254	2.50	64	650	114	4.77	121	5.23	133	3,401	15,128	5.31	2.41
1000.250.0700S	10.00	254	2.50	64	700	123	4.80	122	5.20	132	3,644	16,209	5.44	2.47
1000.250.0750S	10.00	254	2.50	64	750	131	4.85	123	5.15	131	3,860	17,170	5.62	2.55
1000.250.0800S	10.00	254	2.50	64	800	140	4.91	125	5.09	129	4,074	18,122	5.80	2.63
12.00 (length in inches) (Off-Road Silver)														
1200.250.0100S	12.00	305	2.50	64	100	18	3.51	89	8.49	216	849	3,777	2.31	1.05
1200.250.0125S	12.00	305	2.50	64	125	22	3.95	100	8.05	205	1,007	4,479	2.91	1.32
1200.250.0150S	12.00	305	2.50	64	150	26	4.19	106	7.81	199	1,171	5,209	3.28	1.49
1200.250.0175S	12.00	305	2.50	64	175	31	4.16	106	7.84	199	1,372	6,103	3.26	1.48
1200.250.0200S	12.00	305	2.50	64	200	35	4.07	103	7.93	202	1,585	7,050	3.28	1.49
1200.250.0225S	12.00	305	2.50	64	225	39	4.46	113	7.54	192	1,696	7,544	3.79	1.72
1200.250.0250S	12.00	305	2.50	64	250	44	4.43	113	7.57	192	1,893	8,420	3.86	1.75
1200.250.0275S	12.00	305	2.50	64	275	48	4.48	114	7.52	191	2,067	9,194	4.01	1.82
1200.250.0300S	12.00	305	2.50	64	300	53	4.96	126	7.04	179	2,112	9,395	4.67	2.12
1200.250.0325S	12.00	305	2.50	64	325	57	5.02	128	6.98	177	2,270	10,097	4.83	2.19
1200.250.0350S	12.00	305	2.50	64	350	61	5.12	130	6.88	175	2,408	10,711	5.05	2.29
1200.250.0375S	12.00	305	2.50	64	375	66	5.22	133	6.78	172	2,542	11,307	5.27	2.39
1200.250.0400S	12.00	305	2.50	64	400	70	5.32	135	6.68	170	2,670	11,877	5.51	2.50
1200.250.0425S	12.00	305	2.50	64	425	74	5.43	138	6.57	167	2,794	12,428	5.73	2.60
1200.250.0450S	12.00	305	2.50	64	450	79	5.22	133	6.78	172	3,052	13,576	5.51	2.50
1200.250.0475S	12.00	305	2.50	64	475	83	5.34	136	6.66	169	3,162	14,065	5.75	2.61

COIL-OVER | 3.00" I.D. (Off-Road Silver)



Part Number	Length		Inside Diameter		Rate		Block Height		Travel		Load at Block Height		Weight	
	inch	mm	inch	mm	lbs/inch	N/mm	inch	mm	inch	mm	lbs	N	lbs	kg
8.00 (length in inches) (Off-Road Silver)														
0800.300.0100S	8.00	203	3.00	76	100	18	2.01	51	5.99	152	599	2,664	1.70	0.77
10.00 (length in inches) (Off-Road Silver)														
1000.300.0100S	10.00	254	3.00	76	100	18	2.83	72	7.17	182	716	3,185	2.53	1.15
1000.300.0150S	10.00	254	3.00	76	150	26	2.91	74	7.09	180	1,064	4,733	2.53	1.15
1000.300.0200S	10.00	254	3.00	76	200	35	3.09	78	6.91	176	1,382	6,147	2.93	1.33
1000.300.0250S	10.00	254	3.00	76	250	44	3.35	85	6.65	169	1,662	7,393	3.42	1.55
1000.300.0300S	10.00	254	3.00	76	300	53	3.31	84	6.69	170	2,008	8,932	3.57	1.62
12.00 (length in inches) (Off-Road Silver)														
1200.300.0150S	12.00	305	3.00	76	150	26	3.21	82	8.79	223	1,319	5,867	2.89	1.31
1200.300.0175S	12.00	305	3.00	76	175	31	3.72	94	8.28	211	1,448	6,441	3.66	1.66
1200.300.0200S	12.00	305	3.00	76	200	35	3.68	93	8.32	212	1,665	7,406	3.70	1.68
1200.300.0225S	12.00	305	3.00	76	225	39	3.93	100	8.07	205	1,815	8,073	4.17	1.89
1200.300.0250S	12.00	305	3.00	76	250	44	3.94	100	8.06	205	2,014	8,959	4.28	1.94
1200.300.0275S	12.00	305	3.00	76	275	48	4.28	109	7.72	196	2,122	9,439	4.87	2.21
1200.300.0300S	12.00	305	3.00	76	300	53	4.32	110	7.68	195	2,305	10,253	5.03	2.28
1200.300.0325S	12.00	305	3.00	76	325	57	4.35	110	7.65	195	2,486	11,058	5.16	2.34
1200.300.0350S	12.00	305	3.00	76	350	61	4.41	112	7.59	193	2,657	11,819	5.36	2.43
1200.300.0375S	12.00	305	3.00	76	375	66	4.49	114	7.51	191	2,815	12,522	5.58	2.53
1200.300.0400S	12.00	305	3.00	76	400	70	4.57	116	7.43	189	2,970	13,211	5.80	2.63
1200.300.0450S	12.00	305	3.00	76	450	79	4.77	121	7.23	184	3,254	14,474	6.28	2.85
1200.300.0500S	12.00	305	3.00	76	500	88	4.99	127	7.01	178	3,502	15,578	6.85	3.11
1200.300.0600S	12.00	305	3.00	76	600	105	5.22	133	6.78	172	4,069	18,100	7.60	3.45
14.00 (length in inches) (Off-Road Silver)														
1400.300.0150S	14.00	356	3.00	76	150	26	4.24	108	9.76	248	1,463	6,508	4.21	1.91
1400.300.0200S	14.00	356	3.00	76	200	35	4.72	120	9.28	236	1,855	8,251	5.18	2.35
1400.300.0225S	14.00	356	3.00	76	225	39	4.65	118	9.35	238	2,103	9,355	5.20	2.36
1400.300.0250S	14.00	356	3.00	76	250	44	4.99	127	9.01	229	2,251	10,013	5.86	2.66
1400.300.0275S	14.00	356	3.00	76	275	48	4.96	126	9.04	230	2,484	11,049	5.95	2.70
1400.300.0300S	14.00	356	3.00	76	300	53	5.39	137	8.61	219	2,581	11,481	6.77	3.07
1400.300.0350S	14.00	356	3.00	76	350	61	5.46	139	8.54	217	2,989	13,296	7.12	3.23
1400.300.0400S	14.00	356	3.00	76	400	70	5.59	142	8.41	214	3,362	14,955	7.60	3.45
1400.300.0450S	14.00	356	3.00	76	450	79	5.82	148	8.18	208	3,682	16,378	8.22	3.73
1400.300.0500S	14.00	356	3.00	76	500	88	6.04	153	7.96	203	3,979	17,699	8.88	4.03
1400.300.0550S	14.00	356	3.00	76	550	96	6.36	162	7.64	194	4,200	18,682	9.72	4.41
1400.300.0600S	14.00	356	3.00	76	600	105	6.27	159	7.73	197	4,638	20,631	9.72	4.41
1400.300.0650S	14.00	356	3.00	76	650	114	6.59	167	7.41	189	4,813	21,409	10.62	4.82
16.00 (length in inches) (Off-Road Silver)														
1600.300.0250S	16.00	406	3.00	76	250	44	5.82	147	10.18	259	2,546	11,325	7.19	3.26
1600.300.0300S	16.00	406	3.00	76	300	53	6.23	158	9.77	248	2,931	13,038	8.20	3.72
1600.300.0350S	16.00	406	3.00	76	350	61	6.45	163	9.55	243	3,342	14,866	8.75	3.97
1600.300.0400S	16.00	406	3.00	76	400	70	6.61	167	9.39	239	3,754	16,699	9.32	4.23
1600.300.0450S	16.00	406	3.00	76	450	79	6.82	173	9.18	233	4,130	18,371	10.38	4.71
1600.300.0500S	16.00	406	3.00	76	500	88	7.52	191	8.48	215	4,241	18,865	11.66	5.29
1600.300.0550S	16.00	406	3.00	76	550	96	7.58	192	8.42	214	4,629	20,591	12.30	5.58
1600.300.0600S	16.00	406	3.00	76	600	105	7.70	195	8.30	211	4,978	22,143	12.58	5.71

COIL-OVER | 3.00" I.D. (Off-Road Silver)

Part Number	Length		Inside Diameter		Rate		Block Height		Travel		Load at Block Height		Weight	
	inch	mm	inch	mm	lbs/inch	N/mm	inch	mm	inch	mm	lbs	N	lbs	kg
1600.300.0700S	16.00	406	3.00	76	700	123	8.04	204	7.96	202	5,575	24,799	13.82	6.27
1600.300.0800S	16.00	406	3.00	76	800	140	8.16	207	7.84	199	6,274	27,908	14.88	6.75
18.00 (length in inches) (Off-Road Silver)														
1800.300.0200S	18.00	457	3.00	76	200	35	6.35	161	11.65	296	2,330	10,364	7.80	3.54
1800.300.0300S	18.00	457	3.00	76	300	53	7.19	182	10.81	275	3,242	14,421	9.92	4.50
1800.300.0400S	18.00	457	3.00	76	400	70	7.75	197	10.25	260	4,100	18,238	11.75	5.33
1800.300.0450S	18.00	457	3.00	76	450	79	8.19	208	9.81	249	4,415	19,639	12.76	5.79
1800.300.0500S	18.00	457	3.00	76	500	88	8.44	214	9.56	243	4,780	21,262	13.62	6.18
1800.300.0550S	18.00	457	3.00	76	550	96	8.49	215	9.51	242	5,231	23,269	14.33	6.50
1800.300.0600S	18.00	457	3.00	76	600	105	8.84	224	9.16	233	5,496	24,447	15.43	7.00
1800.300.0650S	18.00	457	3.00	76	650	114	8.96	227	9.04	230	5,873	26,124	15.76	7.15
1800.300.0700S	18.00	457	3.00	76	700	123	9.10	231	8.90	226	6,227	27,699	16.68	7.57
1800.300.0800S	18.00	457	3.00	76	800	140	9.75	247	8.25	210	6,600	29,358	19.68	8.93
Helper														
HELPER300	4.85	123	3.00	76	6	1								
Spacer (ID locating main to helper/tender coupling spacer)														
SPACER300			3.00	76										
Torsion Release Bearing														
TRB300			3.00	76										
Spring Wraps														
SW130.165	13.00	330	3.00	76										



COIL-OVER | 3.63" I.D. (Off-Road Silver)



Part Number	Length		Inside Diameter		Rate		Block Height		Travel		Load at Block Height		Weight	
	inch	mm	inch	mm	lbs/inch	N/mm	inch	mm	inch	mm	lbs	N	lbs	kg
12.00 (length in inches) (Off-Road Silver)														
1200.363.0200S	12.00	305	3.63	92	200	35	3.38	86	8.62	219	1,725	7,673	4.39	1.99
1200.363.0250S	12.00	305	3.63	92	250	44	3.56	90	8.44	215	2,111	9,390	4.94	2.24
1200.363.0300S	12.00	305	3.63	92	300	53	3.84	98	8.16	207	2,447	10,885	5.69	2.58
1200.363.0350S	12.00	305	3.63	92	350	61	4.17	106	7.83	199	2,741	12,193	6.57	2.98
1200.363.0400S	12.00	305	3.63	92	400	70	4.28	109	7.72	196	3,087	13,732	7.01	3.18
1200.363.0500S	12.00	305	3.63	92	500	88	4.57	116	7.43	189	3,716	16,530	8.04	3.65
1200.363.0700S	12.00	305	3.63	92	700	123	4.96	126	7.04	179	4,927	21,917	10.05	4.56
14.00 (length in inches) (Off-Road Silver)														
1400.363.0300S	14.00	356	3.63	92	300	53	4.71	120	9.29	236	2,787	12,397	7.49	3.40
1400.363.0350S	14.00	356	3.63	92	350	61	5.04	128	8.96	228	3,135	13,945	8.51	3.86
1400.363.0400S	14.00	356	3.63	92	400	70	5.15	131	8.85	225	3,541	15,751	9.01	4.09
1400.363.0450S	14.00	356	3.63	92	450	79	5.28	134	8.72	222	3,925	17,459	9.57	4.34
18.00 (length in inches) (Off-Road Silver)														
1800.363.0700S	18.00	457	3.63	92	700	123	8.72	221	9.28	236	6,499	28,909	21.69	9.84
1800.363.0750S	18.00	457	3.63	92	750	131	9.01	229	8.99	228	6,741	29,985	23.08	10.47
1800.363.0800S	18.00	457	3.63	92	800	140	8.95	227	9.05	230	7,239	32,201	23.23	10.54
20.00 (length in inches) (Off-Road Silver)														
2000.363.0300S	20.00	508	3.63	92	300	53	7.36	187	12.64	321	3,792	16,868	13.62	6.18
2000.363.0400S	20.00	508	3.63	92	400	70	8.21	209	11.79	299	4,716	20,978	16.84	7.64
2000.363.0500S	20.00	508	3.63	92	500	88	9.06	230	10.94	278	5,471	24,336	20.98	9.52
2000.363.0600S	20.00	508	3.63	92	600	105	9.49	241	10.51	267	6,307	28,055	23.32	10.58
2000.363.0650S	20.00	508	3.63	92	650	114	9.76	248	10.24	260	6,654	29,598	24.68	11.19
2000.363.0675S	20.00	508	3.63	92	675	118	9.88	251	10.12	257	6,831	30,386	25.35	11.50
2000.363.0700S	20.00	508	3.63	92	700	123	10.04	255	9.96	253	6,973	31,017	26.12	11.85
2000.363.0750S	20.00	508	3.63	92	750	131	10.40	264	9.60	244	7,197	32,014	27.84	12.63
22.00 (length in inches) (Off-Road Silver)														
2200.363.0300S	22.00	559	3.63	92	300	53	8.31	211	13.69	348	4,107	18,269	16.00	7.26
2200.363.0400S	22.00	559	3.63	92	400	70	9.16	233	12.84	326	5,135	22,842	19.48	8.84
2200.363.0500S	22.00	559	3.63	92	500	88	10.07	256	11.93	303	5,964	26,529	24.07	10.92
2200.363.0550S	22.00	559	3.63	92	550	96	10.41	264	11.59	295	6,373	28,348	26.29	11.93
2200.363.0600S	22.00	559	3.63	92	600	105	11.00	279	11.00	280	6,601	29,363	28.28	12.83
2200.363.0700S	22.00	559	3.63	92	700	123	11.09	282	10.91	277	7,638	33,975	29.71	13.48
2200.363.0800S	22.00	559	3.63	92	800	140	11.82	300	10.18	259	8,136	36,191	33.43	15.16
24.00 (length in inches) (Off-Road Silver)														
2400.363.0300S	24.00	610	3.63	92	300	53	9.37	238	14.63	372	4,388	19,519	18.73	8.50
2400.363.0350S	24.00	610	3.63	92	350	61	9.78	248	14.22	362	4,977	22,139	20.54	9.32
2400.363.0400S	24.00	610	3.63	92	400	70	10.47	266	13.53	344	5,411	24,069	23.96	10.87
2400.363.0450S	24.00	610	3.63	92	450	79	11.57	294	12.43	316	5,591	24,870	28.15	12.77
2400.363.0500S	24.00	610	3.63	92	500	88	11.16	283	12.84	327	6,419	28,553	27.53	12.49
2400.363.0550S	24.00	610	3.63	92	550	96	11.91	303	12.09	307	6,652	29,589	30.66	13.91
2400.363.0600S	24.00	610	3.63	92	600	105	12.10	307	11.90	303	7,137	31,747	32.05	14.54
2400.363.0650S	24.00	610	3.63	92	650	114	12.65	321	11.35	289	7,380	32,828	34.12	15.48
2400.363.0700S	24.00	610	3.63	92	700	123	12.58	320	11.42	290	7,995	35,563	35.15	15.94

COIL-OVER | 3.63" I.D. (Off-Road Silver)

Part Number	Length		Inside Diameter		Rate		Block Height		Travel		Load at Block Height		Weight	
	inch	mm	inch	mm	lbs/inch	N/mm	inch	mm	inch	mm	lbs	N	lbs	kg
33.00 (length in inches) (Off-Road Silver)														
3300.363.0115S	33.00	838	3.63	92	115	20	13.29	337	19.71	501	2,267	10,084	23.01	10.44
3300.363.0130S	33.00	838	3.63	92	130	23	13.73	349	19.27	489	2,504	11,138	24.68	11.19
Helper														
HELPER363	6.07	154	3.63	92	45	8								
Spacer														
SPACER363			3.63	92										
Spring Wraps														
SW170.200	17.00	432	3.63	92										



Part Number	Length		Inside Diameter		Rate		Block Height		Travel		Load at Block Height		Weight	
	inch	mm	inch	mm	lbs/inch	N/mm	inch	mm	inch	mm	lbs	N	lbs	kg
80 (length in mm)														
080-60-0100	80	3.15	60	2.36	100	571	31	1.22	49	1.93	4,900	1,102	0.38	0.84
080-60-0120	80	3.15	60	2.36	120	685	33	1.30	47	1.85	5,620	1,263	0.43	0.95
080-60-0140	80	3.15	60	2.36	140	800	35	1.38	45	1.77	6,300	1,416	0.47	1.04
080-60-0160	80	3.15	60	2.36	160	914	35	1.38	45	1.77	7,200	1,619	0.49	1.08
080-60-0180	80	3.15	60	2.36	180	1,028	37	1.46	43	1.69	7,740	1,740	0.55	1.21
080-60-0200	80	3.15	60	2.36	200	1,142	38	1.50	42	1.65	8,400	1,888	0.58	1.28
080-60-0220	80	3.15	60	2.36	220	1,256	39	1.54	41	1.61	9,020	2,028	0.60	1.32
080-60-0240	80	3.15	60	2.36	240	1,371	39	1.54	41	1.61	9,840	2,212	0.63	1.39
080-60-0260	80	3.15	60	2.36	260	1,485	40	1.57	40	1.57	10,400	2,338	0.66	1.46
080-60-0280	80	3.15	60	2.36	280	1,599	41	1.61	39	1.54	10,920	2,455	0.69	1.52
080-60-0300	80	3.15	60	2.36	300	1,713	42	1.65	38	1.50	11,400	2,563	0.72	1.59
100 (length in mm)														
100-60-0070	100	3.94	60	2.36	70	400	36	1.42	64	2.52	4,480	1,007	0.42	0.93
100-60-0080	100	3.94	60	2.36	80	457	36	1.42	64	2.52	5,120	1,151	0.44	0.97
100-60-0090	100	3.94	60	2.36	90	514	37	1.46	63	2.48	5,670	1,275	0.46	1.01
100-60-0100	100	3.94	60	2.36	100	571	40	1.57	60	2.36	6,000	1,349	0.53	1.17
100-60-0110	100	3.94	60	2.36	110	628	41	1.61	59	2.32	6,490	1,459	0.56	1.23
100-60-0120	100	3.94	60	2.36	120	685	42	1.65	58	2.28	6,960	1,565	0.59	1.30
100-60-0140	100	3.94	60	2.36	140	800	41	1.61	59	2.32	8,260	1,857	0.60	1.32
100-60-0160	100	3.94	60	2.36	160	914	43	1.69	57	2.24	9,120	2,050	0.66	1.46
100-60-0180	100	3.94	60	2.36	180	1,028	43	1.69	57	2.24	10,260	2,307	0.67	1.48
100-60-0200	100	3.94	60	2.36	200	1,142	46	1.81	54	2.13	10,800	2,428	0.76	1.68
100-60-0220	100	3.94	60	2.36	220	1,256	46	1.81	54	2.13	11,880	2,671	0.77	1.70
100-60-0240	100	3.94	60	2.36	240	1,371	50	1.97	50	1.97	12,000	2,698	0.88	1.94
100-60-0260	100	3.94	60	2.36	260	1,485	51	2.01	49	1.93	12,740	2,864	0.91	2.01
100-60-0280	100	3.94	60	2.36	280	1,599	51	2.01	49	1.93	13,720	3,084	0.94	2.07
100-60-0300	100	3.94	60	2.36	300	1,713	51	2.01	49	1.93	14,700	3,305	0.97	2.14
100-60-0320	100	3.94	60	2.36	320	1,828	52	2.05	48	1.89	15,360	3,453	1.00	2.20
100-60-0340	100	3.94	60	2.36	340	1,942	53	2.09	47	1.85	15,980	3,592	1.00	2.20
100-60-0360	100	3.94	60	2.36	360	2,056	56	2.20	44	1.73	15,840	3,561	1.12	2.47
100-60-0380	100	3.94	60	2.36	380	2,170	54	2.13	46	1.81	17,480	3,930	1.09	2.40
100-60-0400	100	3.94	60	2.36	400	2,284	55	2.17	45	1.77	18,000	4,047	1.13	2.49
100-60-0450	100	3.94	60	2.36	450	2,570	57	2.24	43	1.69	19,350	4,350	1.22	2.69
100-60-0500	100	3.94	60	2.36	500	2,856	59	2.32	41	1.61	20,500	4,609	1.31	2.89
100-60-0550	100	3.94	60	2.36	550	3,141	62	2.44	38	1.50	20,900	4,699	1.42	3.13
100-60-0600	100	3.94	60	2.36	600	3,427	61	2.40	39	1.54	23,400	5,261	1.43	3.15
100-60-0650	100	3.94	60	2.36	650	3,712	64	2.52	36	1.42	23,400	5,261	1.55	3.42
100-60-0700	100	3.94	60	2.36	700	3,998	64	2.52	36	1.42	25,200	5,665	1.58	3.48
100-60-0750	100	3.94	60	2.36	750	4,283	64	2.52	36	1.42	27,000	6,070	1.61	3.55
100-60-0800	100	3.94	60	2.36	800	4,569	65	2.56	35	1.38	28,000	6,295	1.66	3.66

COIL-OVER | 60mm I.D.

Part Number	Length		Inside Diameter		Rate		Block Height		Travel		Load at Block Height		Weight	
	mm	inch	mm	inch	N/mm	lbs/inch	mm	inch	mm	inch	N	lbs	kg	lbs
120 (length in mm)														
120-60-0040	120	4.72	60	2.36	40	228	14	0.55	86	3.39	3,440	773	0.36	0.79
120-60-0050	120	4.72	60	2.36	50	286	37	1.46	83	3.27	4,150	933	0.41	0.90
120-60-0060	120	4.72	60	2.36	60	343	40	1.57	80	3.15	4,800	1,079	0.47	1.04
120-60-0070	120	4.72	60	2.36	70	400	43	1.69	77	3.03	5,390	1,212	0.54	1.19
120-60-0080	120	4.72	60	2.36	80	457	42	1.65	78	3.07	6,240	1,403	0.54	1.19
120-60-0090	120	4.72	60	2.36	90	514	43	1.69	77	3.03	6,930	1,558	0.58	1.28
120-60-0100	120	4.72	60	2.36	100	571	44	1.73	76	2.99	7,600	1,709	0.61	1.34
120-60-0110	120	4.72	60	2.36	110	628	48	1.89	72	2.83	7,920	1,780	0.70	1.54
120-60-0120	120	4.72	60	2.36	120	685	49	1.93	71	2.80	8,520	1,915	0.73	1.61
120-60-0140	120	4.72	60	2.36	140	800	51	2.01	69	2.72	9,660	2,172	0.80	1.76
120-60-0160	120	4.72	60	2.36	160	914	53	2.09	67	2.64	10,720	2,410	0.87	1.92
120-60-0180	120	4.72	60	2.36	180	1,028	53	2.09	67	2.64	12,060	2,711	0.89	1.96
120-60-0200	120	4.72	60	2.36	200	1,142	56	2.20	64	2.52	12,800	2,878	1.00	2.20
120-60-0220	120	4.72	60	2.36	220	1,256	56	2.20	64	2.52	14,080	3,165	1.01	2.23
120-60-0240	120	4.72	60	2.36	240	1,371	58	2.28	62	2.44	14,880	3,345	1.07	2.36
120-60-0260	120	4.72	60	2.36	260	1,485	58	2.28	62	2.44	16,120	3,624	1.10	2.43
120-60-0280	120	4.72	60	2.36	280	1,599	60	2.36	60	2.36	16,800	3,777	1.15	2.54
120-60-0300	120	4.72	60	2.36	300	1,713	61	2.40	59	2.32	17,700	3,979	1.20	2.65
120-60-0320	120	4.72	60	2.36	320	1,828	64	2.52	56	2.20	17,920	4,029	1.32	2.91
120-60-0340	120	4.72	60	2.36	340	1,942	65	2.56	55	2.17	18,700	4,204	1.36	3.00
120-60-0360	120	4.72	60	2.36	360	2,056	66	2.60	54	2.13	19,440	4,370	1.42	3.13
140 (length in mm)														
140-60-0050	140	5.51	60	2.36	50	286	45	1.77	95	3.74	4,750	1,068	0.54	1.19
140-60-0060	140	5.51	60	2.36	60	343	48	1.89	92	3.62	5,520	1,241	0.60	1.32
140-60-0070	140	5.51	60	2.36	70	400	47	1.85	93	3.66	6,510	1,464	0.61	1.34
140-60-0080	140	5.51	60	2.36	80	457	50	1.97	90	3.54	7,200	1,619	0.69	1.52
140-60-0090	140	5.51	60	2.36	90	514	50	1.97	90	3.54	8,100	1,821	0.72	1.59
140-60-0100	140	5.51	60	2.36	100	571	56	2.20	84	3.31	8,400	1,888	0.84	1.85
140-60-0110	140	5.51	60	2.36	110	628	56	2.20	84	3.31	9,240	2,077	0.87	1.92
140-60-0120	140	5.51	60	2.36	120	685	56	2.20	84	3.31	10,080	2,266	0.89	1.96
140-60-0130	140	5.51	60	2.36	130	742	57	2.24	83	3.27	10,790	2,426	0.92	2.03
140-60-0140	140	5.51	60	2.36	140	800	59	2.32	81	3.19	11,340	2,549	0.97	2.14
140-60-0150	140	5.51	60	2.36	150	857	60	2.36	80	3.15	12,000	2,698	1.02	2.25
140-60-0160	140	5.51	60	2.36	160	914	63	2.48	77	3.03	12,320	2,770	1.09	2.40
140-60-0170	140	5.51	60	2.36	170	971	64	2.52	76	2.99	12,920	2,905	1.13	2.49
140-60-0180	140	5.51	60	2.36	180	1,028	66	2.60	74	2.91	13,320	2,994	1.21	2.67
140-60-0190	140	5.51	60	2.36	190	1,085	64	2.52	76	2.99	14,440	3,246	1.16	2.56
140-60-0200	140	5.51	60	2.36	200	1,142	65	2.56	75	2.95	15,000	3,372	1.21	2.67
140-60-0220	140	5.51	60	2.36	220	1,256	65	2.56	75	2.95	16,500	3,709	1.23	2.71
140-60-0240	140	5.51	60	2.36	240	1,371	70	2.76	70	2.76	16,800	3,777	1.39	3.06
140-60-0260	140	5.51	60	2.36	260	1,485	71	2.80	69	2.72	17,940	4,033	1.45	3.20
140-60-0280	140	5.51	60	2.36	280	1,599	75	2.95	65	2.56	18,200	4,092	1.59	3.51
140-60-0300	140	5.51	60	2.36	300	1,713	75	2.95	65	2.56	19,500	4,384	1.62	3.57
140-60-0350	140	5.51	60	2.36	350	1,999	80	3.15	60	2.36	21,000	4,721	1.84	4.06
140-60-0400	140	5.51	60	2.36	400	2,284	81	3.19	59	2.32	23,600	5,306	1.93	4.25
140-60-0450	140	5.51	60	2.36	450	2,570	82	3.23	58	2.28	26,100	5,868	2.02	4.45
140-60-0500	140	5.51	60	2.36	500	2,856	89	3.50	51	2.01	25,500	5,733	2.32	5.11

Part Number	Length		Inside Diameter		Rate		Block Height		Travel		Load at Block Height		Weight	
	mm	inch	mm	inch	N/mm	lbs/inch	mm	inch	mm	inch	N	lbs	kg	lbs
170 (length in mm)														
170-60-0030	170	6.69	60	2.36	30	171	47	1.85	123	4.84	3,690	830	0.52	1.15
170-60-0040	170	6.69	60	2.36	40	228	53	2.09	117	4.61	4,680	1,052	0.64	1.41
170-60-0050	170	6.69	60	2.36	50	286	54	2.13	116	4.57	5,800	1,304	0.69	1.52
170-60-0060	170	6.69	60	2.36	60	343	57	2.24	113	4.45	6,780	1,524	0.77	1.70
170-60-0070	170	6.69	60	2.36	70	400	61	2.40	109	4.29	7,630	1,715	0.88	1.94
170-60-0080	170	6.69	60	2.36	80	457	66	2.60	104	4.09	8,320	1,870	1.00	2.20
170-60-0090	170	6.69	60	2.36	90	514	65	2.56	105	4.13	9,450	2,124	1.00	2.20
170-60-0100	170	6.69	60	2.36	100	571	71	2.80	99	3.90	9,900	2,226	1.14	2.51
170-60-0110	170	6.69	60	2.36	110	628	70	2.76	100	3.94	11,000	2,473	1.17	2.58
170-60-0120	170	6.69	60	2.36	120	685	71	2.80	99	3.90	11,880	2,671	1.21	2.67
170-60-0130	170	6.69	60	2.36	130	742	73	2.87	97	3.82	12,610	2,835	1.28	2.82
170-60-0140	170	6.69	60	2.36	140	800	75	2.95	95	3.74	13,300	2,990	1.33	2.93
170-60-0150	170	6.69	60	2.36	150	857	76	2.99	94	3.70	14,100	3,170	1.39	3.06
170-60-0160	170	6.69	60	2.36	160	914	78	3.07	92	3.62	14,720	3,309	1.45	3.20
170-60-0170	170	6.69	60	2.36	170	971	78	3.07	92	3.62	15,640	3,516	1.48	3.26
170-60-0180	170	6.69	60	2.36	180	1,028	81	3.19	89	3.50	16,020	3,601	1.59	3.51
170-60-0190	170	6.69	60	2.36	190	1,085	83	3.27	87	3.43	16,530	3,716	1.65	3.64
170-60-0200	170	6.69	60	2.36	200	1,142	86	3.39	84	3.31	16,800	3,777	1.75	3.86
170-60-0220	170	6.69	60	2.36	220	1,256	84	3.31	86	3.39	18,920	4,253	1.75	3.86
170-60-0240	170	6.69	60	2.36	240	1,371	89	3.50	81	3.19	19,440	4,370	1.94	4.28
170-60-0260	170	6.69	60	2.36	260	1,485	95	3.74	75	2.95	19,500	4,384	2.13	4.70
170-60-0280	170	6.69	60	2.36	280	1,599	95	3.74	75	2.95	21,000	4,721	2.17	4.78
170-60-0300	170	6.69	60	2.36	300	1,713	95	3.74	75	2.95	22,500	5,058	2.23	4.92
180 (length in mm)														
180-060-0030	180	7.09	60	2.36	30	171	121	4.76	59	2.32	3,630	816	1.54	3.40
180-060-0040	180	7.09	60	2.36	40	228	115	4.53	65	2.56	4,600	1,034	1.76	3.88
180-060-0050	180	7.09	60	2.36	50	286	106	4.17	74	2.91	5,300	1,191	2.20	4.85
180-060-0060	180	7.09	60	2.36	60	343	103	4.06	77	3.03	6,180	1,389	2.43	5.36
180-060-0070	180	7.09	60	2.36	70	400	105	4.13	75	2.95	7,350	1,652	2.43	5.36
180-060-0080	180	7.09	60	2.36	80	457	100	3.94	80	3.15	8,000	1,798	2.65	5.84
180-060-0090	180	7.09	60	2.36	90	514	100	3.94	80	3.15	9,000	2,023	2.65	5.84
180-060-0100	180	7.09	60	2.36	100	571	95	3.74	85	3.35	9,500	2,136	2.87	6.33
180-060-0110	180	7.09	60	2.36	110	628	94	3.70	86	3.39	10,340	2,325	3.09	6.81
180-060-0120	180	7.09	60	2.36	120	685	94	3.70	86	3.39	11,280	2,536	3.09	6.81
180-060-0130	180	7.09	60	2.36	130	742	93	3.66	87	3.43	12,090	2,718	3.31	7.30
180-060-0140	180	7.09	60	2.36	140	800	85	3.35	95	3.74	11,900	2,675	3.97	8.75
180-060-0150	180	7.09	60	2.36	150	857	90	3.54	90	3.54	13,500	3,035	3.70	8.16
180-060-0175	180	7.09	60	2.36	175	999	82	3.23	98	3.86	14,350	3,226	4.19	9.24
180-060-0200	180	7.09	60	2.36	200	1,142	80	3.15	100	3.94	16,000	3,597	4.41	9.72

COIL-OVER | 60mm I.D.

Part Number	Length		Inside Diameter		Rate		Block Height		Travel		Load at Block Height		Weight	
	mm	inch	mm	inch	N/mm	lbs/inch	mm	inch	mm	inch	N	lbs	kg	lbs
200 (length in mm)														
200-60-0030	200	7.87	60	2.36	30	171	60	2.36	140	5.51	4,200	944	0.69	1.52
200-60-0040	200	7.87	60	2.36	40	228	65	2.56	135	5.31	5,400	1,214	0.83	1.83
200-60-0050	200	7.87	60	2.36	50	286	66	2.60	134	5.28	6,700	1,506	0.89	1.96
200-60-0060	200	7.87	60	2.36	60	343	69	2.72	131	5.16	7,860	1,767	1.00	2.20
200-60-0070	200	7.87	60	2.36	70	400	73	2.87	127	5.00	8,890	1,999	1.10	2.43
200-60-0080	200	7.87	60	2.36	80	457	78	3.07	122	4.80	9,760	2,194	1.24	2.73
200-60-0090	200	7.87	60	2.36	90	514	83	3.27	117	4.61	10,530	2,367	1.39	3.06
200-60-0100	200	7.87	60	2.36	100	571	83	3.27	117	4.61	11,700	2,630	1.42	3.13
200-60-0110	200	7.87	60	2.36	110	628	91	3.58	109	4.29	11,990	2,695	1.63	3.59
200-60-0120	200	7.87	60	2.36	120	685	91	3.58	109	4.29	13,080	2,941	1.67	3.68
250 (length in mm)														
250-60-0025	250	9.84	60	2.36	25	143	69	2.72	181	7.13	4,525	1,017	0.81	1.79
250-60-0030	250	9.84	60	2.36	30	171	74	2.91	176	6.93	5,280	1,187	0.92	2.03
250-60-0035	250	9.84	60	2.36	35	200	80	3.15	170	6.69	5,950	1,338	1.06	2.34
250-60-0040	250	9.84	60	2.36	40	228	80	3.15	170	6.69	6,800	1,529	1.08	2.38
250-60-0045	250	9.84	60	2.36	45	257	88	3.46	162	6.38	7,290	1,639	1.26	2.78
250-60-0050	250	9.84	60	2.36	50	286	88	3.46	162	6.38	8,100	1,821	1.30	2.87
250-60-0060	250	9.84	60	2.36	60	343	91	3.58	159	6.26	9,540	2,145	1.42	3.13
250-60-0070	250	9.84	60	2.36	70	400	95	3.74	155	6.10	10,850	2,439	1.56	3.44
250-60-0080	250	9.84	60	2.36	80	457	99	3.90	151	5.94	12,080	2,716	1.70	3.75
250-60-0090	250	9.84	60	2.36	90	514	106	4.17	144	5.67	12,960	2,914	1.91	4.21
250-60-0100	250	9.84	60	2.36	100	571	113	4.45	137	5.39	13,700	3,080	2.14	4.72
250-60-0110	250	9.84	60	2.36	110	628	113	4.45	137	5.39	15,070	3,388	2.17	4.78
250-60-0120	250	9.84	60	2.36	120	685	120	4.72	130	5.12	15,600	3,507	2.43	5.36
300 (length in mm)														
300-60-0020	300	11.81	60	2.36	20	114	84	3.31	216	8.50	4,320	971	0.99	2.18
300-60-0025	300	11.81	60	2.36	25	143	87	3.43	213	8.39	5,325	1,197	1.09	2.40
300-60-0030	300	11.81	60	2.36	30	171	93	3.66	207	8.15	6,210	1,396	1.23	2.71
300-60-0035	300	11.81	60	2.36	35	200	99	3.90	201	7.91	7,035	1,582	1.40	3.09
300-60-0040	300	11.81	60	2.36	40	228	108	4.25	192	7.56	7,680	1,727	1.60	3.53
300-60-0045	300	11.81	60	2.36	45	257	107	4.21	193	7.60	8,685	1,952	1.63	3.59
300-60-0050	300	11.81	60	2.36	50	286	117	4.61	183	7.20	9,150	2,057	1.87	4.12
300-60-0060	300	11.81	60	2.36	60	343	118	4.65	182	7.17	10,920	2,455	1.99	4.39
300-60-0070	300	11.81	60	2.36	70	400	132	5.20	168	6.61	11,760	2,644	2.39	5.27
300-60-0080	300	11.81	60	2.36	80	457	137	5.39	163	6.42	13,040	2,932	2.60	5.73
300-60-0090	300	11.81	60	2.36	90	514	134	5.28	166	6.54	14,940	3,359	2.59	5.71
300-60-0100	300	11.81	60	2.36	100	571	141	5.55	159	6.26	15,900	3,574	2.86	6.31
350 (length in mm)														
350-60-0020	350	13.78	60	2.36	20	114	106	4.17	244	9.61	4,880	1,097	1.33	2.93
350-60-0025	350	13.78	60	2.36	25	143	108	4.25	242	9.53	6,050	1,360	1.44	3.17
350-60-0030	350	13.78	60	2.36	30	171	114	4.49	236	9.29	7,080	1,592	1.60	3.53
350-60-0035	350	13.78	60	2.36	35	200	121	4.76	229	9.02	8,015	1,802	1.80	3.97
350-60-0040	350	13.78	60	2.36	40	228	130	5.12	220	8.66	8,800	1,978	2.04	4.50
350-60-0045	350	13.78	60	2.36	45	257	140	5.51	210	8.27	9,450	2,124	2.31	5.09
350-60-0050	350	13.78	60	2.36	50	286	139	5.47	211	8.31	10,550	2,372	2.35	5.18
350-60-0055	350	13.78	60	2.36	55	314	139	5.47	211	8.31	11,605	2,609	2.41	5.31

COIL-OVER | 60mm I.D.

Part Number	Length		Inside Diameter		Rate		Block Height		Travel		Load at Block Height		Weight	
	mm	inch	mm	inch	N/mm	lbs/inch	mm	inch	mm	inch	N	lbs	kg	lbs
Tender/Linear														
035-60-0065	60	2.36	60	2.36	65	371	25	0.98	35	1.38	2,275	511	0.40	0.88
040-60-0020	55	2.17	60	2.36	20	114	15	0.59	40	1.57	800	180	0.30	0.66
040-60-0030	65	2.56	60	2.36	30	171	25	0.99	40	1.57	1,200	270	0.30	0.66
040-60-0040	75	2.95	60	2.36	40	228	35	1.38	40	1.57	1,600	360	0.60	1.32
040-60-0050	68	2.68	60	2.36	50	286	28	1.11	40	1.57	2,000	450	0.50	1.10
040-60-0055	68	2.68	60	2.36	55	314	28	1.11	40	1.57	2,200	495	0.50	1.10
040-60-0060	66	2.60	60	2.36	60	343	26	1.03	40	1.57	2,400	540	0.55	1.21
040-60-0070	65	2.56	60	2.36	70	400	25	0.99	40	1.57	2,800	629	0.40	0.88
050-60-0020	78	3.07	60	2.36	20	114	28	1.10	50	1.97	1,000	225	0.50	1.10
050-60-0030	90	3.54	60	2.36	30	171	40	1.57	50	1.97	1,500	337	0.48	1.06
060-60-0030	101	3.98	60	2.36	30	171	41	1.62	60	2.36	1,800	405	0.80	1.76
060-60-0040	113	4.45	60	2.36	40	228	53	2.09	60	2.36	2,400	540	0.90	1.98
060-60-0050	105	4.13	60	2.36	50	286	45	1.77	60	2.36	3,000	674	0.80	1.76
060-60-0060	96	3.78	60	2.36	60	343	36	1.42	60	2.36	3,600	809	0.72	1.59
060-60-0070	95	3.74	60	2.36	70	400	35	1.38	60	2.36	4,200	944	0.69	1.52
080-60-0010	104	4.09	60	2.36	10	57	24	0.94	80	3.15	800	180	0.40	0.88
Tender/Progressive														
050-60-0040/0120	106	4.17	60	2.36	40/120	228/385	56	2.20	50	1.97	3,800	854	0.70	1.54
050-60-0060/0150	117	4.61	60	2.36	60/150	343/857	67	2.64	50	1.97	5,000	1,124	1.20	2.65
Helper														
060-60-0002	73	2.87	60	2.36	2	11	13	0.51	60	2.36	120	27	0.15	0.33
100-60-0010	124	4.88	60	2.36	10	57	24	0.94	100	3.94	1,000	225	0.40	0.88
Hardware														
01-060-00 (Spring Coupler)														
Adapter														
ADAPTER60-250 (Perch Adapter 60mm to 2.50")			60/2.50	60 / 64										



COIL-OVER | 70mm I.D.

Part Number	Length		Inside Diameter		Rate		Block Height		Travel		Load at Block Height		Weight	
	mm	inch	mm	inch	N/mm	lbs/inch	mm	inch	mm	inch	N	lbs	kg	lbs
200 (length in mm)														
200-070-0050	200	7.87	70	2.76	50	286	73	2.87	127	5.00	6,350	1,428	1.23	2.71
200-070-0055	200	7.87	70	2.76	55	314	74	2.91	126	4.96	6,930	1,558	1.27	2.80
200-070-0060	200	7.87	70	2.76	60	343	75	2.95	125	4.92	7,500	1,686	1.32	2.91
200-070-0065	200	7.87	70	2.76	65	371	83	3.27	117	4.61	7,605	1,710	1.54	3.40
200-070-0070	200	7.87	70	2.76	70	400	84	3.31	116	4.57	8,120	1,825	1.61	3.55
200-070-0075	200	7.87	70	2.76	75	428	86	3.39	114	4.49	8,550	1,922	1.68	3.70
200-070-0080	200	7.87	70	2.76	80	457	82	3.23	118	4.65	9,440	2,122	1.60	3.53
200-070-0085	200	7.87	70	2.76	85	485	84	3.31	116	4.57	9,860	2,217	1.68	3.70
200-070-0090	200	7.87	70	2.76	90	514	86	3.39	114	4.49	10,260	2,307	1.77	3.90
200-070-0100	200	7.87	70	2.76	100	571	92	3.62	108	4.25	10,800	2,428	1.97	4.34
200-070-0110	200	7.87	70	2.76	110	628	91	3.58	109	4.29	11,990	2,695	1.99	4.39
200-070-0120	200	7.87	70	2.76	120	685	97	3.82	103	4.06	12,360	2,779	2.22	4.89
225 (length in mm)														
225-070-0050	225	8.86	70	2.76	50	286	87	3.43	138	5.43	6,900	1,551	1.55	3.42
225-070-0055	225	8.86	70	2.76	55	314	87	3.43	138	5.43	7,590	1,706	1.59	3.51
225-070-0060	225	8.86	70	2.76	60	343	88	3.46	137	5.39	8,220	1,848	1.65	3.64
225-070-0065	225	8.86	70	2.76	65	371	90	3.54	135	5.31	8,775	1,973	1.72	3.79
225-070-0070	225	8.86	70	2.76	70	400	91	3.58	134	5.28	9,380	2,109	1.79	3.95
225-070-0075	225	8.86	70	2.76	75	428	93	3.66	132	5.20	9,900	2,226	1.86	4.10
225-070-0080	225	8.86	70	2.76	80	457	95	3.74	130	5.12	10,400	2,338	1.96	4.32
225-070-0085	225	8.86	70	2.76	85	485	98	3.86	127	5.00	10,795	2,427	2.05	4.52
225-070-0090	225	8.86	70	2.76	90	514	100	3.94	125	4.92	11,250	2,529	2.14	4.72
225-070-0100	225	8.86	70	2.76	100	571	105	4.13	120	4.72	12,000	2,698	2.36	5.20
225-070-0110	225	8.86	70	2.76	110	628	105	4.13	120	4.72	13,200	2,967	2.40	5.29
225-070-0120	225	8.86	70	2.76	120	685	111	4.37	114	4.49	13,680	3,075	2.65	5.84
250-070-0040	250	9.84	70	2.76	40	228	87	3.43	163	6.42	6,520	1,466	1.48	3.26
250-070-0045	250	9.84	70	2.76	45	257	95	3.74	155	6.10	6,975	1,568	1.69	3.73
250-070-0050	250	9.84	70	2.76	50	286	94	3.70	156	6.14	7,800	1,754	1.73	3.81
250-070-0055	250	9.84	70	2.76	55	314	95	3.74	155	6.10	8,525	1,917	1.77	3.90
250-070-0060	250	9.84	70	2.76	60	343	104	4.09	146	5.75	8,760	1,969	2.10	4.63
250-070-0065	250	9.84	70	2.76	65	371	105	4.13	145	5.71	9,425	2,119	2.11	4.65
250-070-0070	250	9.84	70	2.76	70	400	106	4.17	144	5.67	10,080	2,266	2.18	4.81
250-070-0075	250	9.84	70	2.76	75	428	108	4.25	142	5.59	10,650	2,394	2.28	5.03
250-070-0080	250	9.84	70	2.76	80	457	111	4.37	139	5.47	11,120	2,500	2.38	5.25
250-070-0085	250	9.84	70	2.76	85	485	113	4.45	137	5.39	11,645	2,618	2.47	5.45
250-070-0090	250	9.84	70	2.76	90	514	115	4.53	135	5.31	12,150	2,731	2.59	5.71
250-070-0100	250	9.84	70	2.76	100	571	122	4.80	128	5.04	12,800	2,878	2.85	6.28
250-070-0110	250	9.84	70	2.76	110	628	120	4.72	130	5.12	14,300	3,215	2.86	6.31
250-070-0120	250	9.84	70	2.76	120	685	127	5.00	123	4.84	14,760	3,318	3.16	6.97

Part Number	Length		Inside Diameter		Rate		Block Height		Travel		Load at Block Height		Weight	
	mm	inch	mm	inch	N/mm	lbs/inch	mm	inch	mm	inch	N	lbs	kg	lbs
300 (length in mm)														
300-070-0020	300	11.81	70	2.76	20	114	97	3.82	203	7.99	4,060	913	1.44	3.17
300-070-0025	300	11.81	70	2.76	25	143	97	3.82	203	7.99	5,075	1,141	1.53	3.37
300-070-0030	300	11.81	70	2.76	30	171	102	4.02	198	7.80	5,940	1,335	1.69	3.73
300-070-0035	300	11.81	70	2.76	35	200	107	4.21	193	7.60	6,755	1,519	1.90	4.19
300-070-0040	300	11.81	70	2.76	40	228	113	4.45	187	7.36	7,480	1,682	2.08	4.59
300-070-0045	300	11.81	70	2.76	45	257	112	4.41	188	7.40	8,460	1,902	2.11	4.65
300-070-0050	300	11.81	70	2.76	50	286	120	4.72	180	7.09	9,000	2,023	2.38	5.25
300-070-0055	300	11.81	70	2.76	55	314	120	4.72	180	7.09	9,900	2,226	2.43	5.36
300-070-0060	300	11.81	70	2.76	60	343	131	5.16	169	6.65	10,140	2,280	2.77	6.11
350 (length in mm)														
350-070-0020	350	13.78	70	2.76	20	114	107	4.21	243	9.57	4,860	1,093	1.64	3.62
350-070-0025	350	13.78	70	2.76	25	143	120	4.72	230	9.06	5,750	1,293	2.00	4.41
350-070-0030	350	13.78	70	2.76	30	171	123	4.84	227	8.94	6,810	1,531	2.10	4.63
350-070-0035	350	13.78	70	2.76	35	200	129	5.08	221	8.70	7,735	1,739	2.30	5.07
350-070-0040	350	13.78	70	2.76	40	228	135	5.31	215	8.46	8,560	1,924	2.60	5.73
350-070-0045	350	13.78	70	2.76	45	257	145	5.71	205	8.07	9,225	2,074	2.90	6.39
350-070-0050	350	13.78	70	2.76	50	286	143	5.63	207	8.15	10,350	2,327	2.90	6.39
350-070-0055	350	13.78	70	2.76	55	314	154	6.06	196	7.72	10,780	2,423	3.30	7.28
350-070-0060	350	13.78	70	2.76	60	343	152	5.98	198	7.80	11,880	2,671	3.36	7.41
Tender/Linear														
040-070-0030	82	3.23	70	2.76	30	171	42	1.65	40	1.57	1,200	270	0.92	2.03
040-070-0040	78	3.07	70	2.76	40	228	38	1.50	40	1.57	1,600	360	0.70	1.54
040-070-0050	69	2.72	70	2.76	50	286	29	1.14	40	1.57	2,000	450	0.62	1.37
040-070-0060	71	2.80	70	2.76	60	343	31	1.22	40	1.57	2,400	540	0.68	1.50
060-070-0045	98	3.86	70	2.76	45	257	38	1.50	60	2.36	2,700	607	0.85	1.87
070-070-0015	97	3.82	70	2.76	15	86	27	1.06	70	2.76	1,050	236	0.48	1.06
070-070-0030	118	4.65	70	2.76	30	171	48	1.89	70	2.76	2,100	472	0.95	2.09
070-070-0034	108	4.25	70	2.76	34	194	38	1.50	70	2.76	2,380	535	0.83	1.83
070-070-0038	111	4.37	70	2.76	38	217	41	1.61	70	2.76	2,660	598	0.80	1.76
070-070-0042	111	4.37	70	2.76	42	240	41	1.61	70	2.76	2,940	661	0.91	2.01
070-070-0046	106	4.17	70	2.76	46	263	36	1.42	70	2.76	3,220	724	0.70	1.54
070-070-0050	121	4.76	70	2.76	50	286	51	2.01	70	2.76	3,500	787	1.12	2.47
070-070-0060	121	4.76	70	2.76	60	343	51	2.01	70	2.76	4,200	944	1.12	2.47
Helper														
080-070-0003	93	3.66	70	2.76	3	17	13	0.51	80	3.15	200	45	0.14	0.31
Hardware														
01-070-00 (Spring Coupler)														

Part Number	Length		Inside Diameter		Rate		Block Height		Travel		Load at Block Height		Weight	
	mm	inch	mm	inch	N/mm	lbs/inch	mm	inch	mm	inch	N	lbs	kg	lbs
F3 Standard														
F3 C400	141	5.55	36	1.42	70	400	74	2.91	67	2.64	4,672	1,050	0.50	1.10
F3 C450	139	5.47	36	1.42	79	451	78	3.07	61	2.40	4,806	1,080	0.54	1.19
F3 C500	136	5.35	36	1.42	88	503	77	3.03	59	2.32	5,117	1,150	0.54	1.19
F3 C550	134	5.28	36	1.42	96	548	79	3.11	55	2.17	5,295	1,190	0.59	1.30
F3 C600	133	5.24	36	1.42	105	600	75	2.95	58	2.28	6,096	1,370	0.59	1.30
F3 C700	130	5.12	36	1.42	123	702	79	3.11	51	2.01	6,274	1,410	0.64	1.41
F3 C800	128	5.04	36	1.42	140	800	78	3.07	50	1.97	6,986	1,571	0.64	1.41
F3 C900	127	5.00	36	1.42	158	902	76	2.99	51	2.01	8,099	1,821	0.68	1.50
F3 C1000	126	4.96	36	1.42	175	999	79	3.11	47	1.85	8,188	1,841	0.73	1.61
F3 C1100	125	4.92	36	1.42	193	1,102	80	3.15	45	1.77	8,588	1,931	0.73	1.61
F3 C1200	124	4.88	36	1.42	210	1,199	83	3.27	41	1.61	8,499	1,911	0.77	1.70
F3 C1300	123	4.84	36	1.42	228	1,302	83	3.27	40	1.57	8,989	2,021	0.82	1.81
F3 C1400	123	4.84	36	1.42	245	1,399	81	3.19	42	1.65	10,012	2,251	0.77	1.70
F3 C1500	122	4.80	36	1.42	263	1,502	80	3.15	42	1.65	11,036	2,481	0.77	1.70
F3 C1600	122	4.80	36	1.42	280	1,599	84	3.31	38	1.50	10,591	2,381	0.86	1.90
F3 C1800	121	4.76	36	1.42	315	1,799	82	3.23	39	1.54	12,281	2,761	0.86	1.90
F3 C2000	121	4.76	36	1.42	350	1,999	83	3.27	38	1.50	13,305	2,991	0.86	1.90
F3 Short														
40494	111	4.37	36	1.42	105	600	59	2.32	52	2.05	5,500	1,236	0.42	0.93
40495	103	4.06	36	1.42	114	651	55	2.17	48	1.89	5,500	1,236	0.39	0.86
40496	97	3.82	36	1.42	123	702	52	2.05	45	1.77	5,500	1,236	0.37	0.82
40497	91	3.58	36	1.42	131	748	49	1.93	42	1.65	5,500	1,236	0.35	0.77
40498	86	3.39	36	1.42	140	800	47	1.85	39	1.54	5,500	1,236	0.33	0.73
40499	82	3.23	36	1.42	149	851	45	1.77	37	1.46	5,500	1,236	0.32	0.71
40500	78	3.07	36	1.42	158	902	43	1.69	35	1.38	5,500	1,236	0.30	0.66
40501	74	2.91	36	1.42	166	948	41	1.61	33	1.30	5,500	1,236	0.29	0.64
40502	71	2.80	36	1.42	175	999	40	1.57	31	1.22	5,500	1,236	0.28	0.62
40503	68	2.68	36	1.42	184	1,051	38	1.50	30	1.18	5,500	1,236	0.27	0.60
40504	66	2.60	36	1.42	193	1,102	37	1.46	29	1.14	5,500	1,236	0.26	0.57
54587	63	2.48	36	1.42	201	1,148	36	1.42	27	1.06	5,500	1,236	0.25	0.55
54588	61	2.40	36	1.42	210	1,199	35	1.38	26	1.02	5,500	1,236	0.25	0.55
54589	59	2.32	36	1.42	219	1,251	34	1.34	25	0.98	5,500	1,236	0.24	0.53
54590	58	2.28	36	1.42	228	1,302	34	1.34	24	0.94	5,500	1,236	0.23	0.51

OTHER PRODUCT LINES | EVS, EMS, and EPS

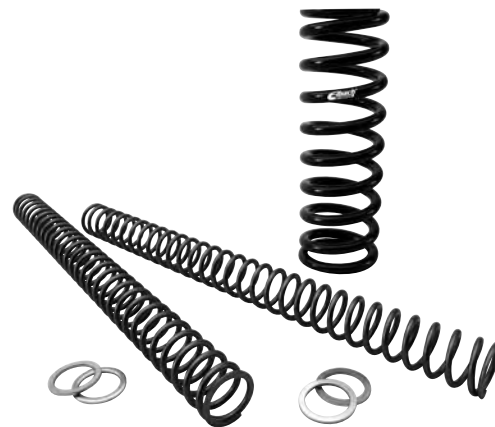
EIBACH VALVE SPRINGS—EVS

Now, using the very same Eibach technology used in IRL, Grand Am and Speed World Challenge, you can get your engine performing at its very best. Eibach EVS valve springs are precision engineered and made from highest quality materials. Check out our full-line of applications in our latest EVS catalog.



EIBACH MOTORCYCLE—EMS

With the extreme performance of today's motorcycles, both on-road and off, proper suspension setup is essential. Front and rear springs must be matched and tuned for rider weight, ability, riding style and road/track conditions. Check out full-line of motorcycle applications in our latest EMS catalog.



EIBACH PERFORMANCE SUSPENSION—EPS

Dominate the track. Rule the street. Eibach uses the exact same technology in our street performance suspension components as we do in our legendary race springs. From performance lowering springs, shocks and sway bars to coil-overs and hub-centric wheel spacers—check out our complete line of automotive, truck and SUV applications in our latest EPS catalog.



SUSPENSION WORKSHEET

STEP 1: MOTION RATIO

In developing a basic spring setup, your first step is determining your Motion Ratio. A different formula is needed for the type of suspension your race vehicle utilizes: A-arm or Beam axle. Please take into consideration the Angle Correction Factor in your computation.

A-arm Suspension - (See Diagram 1)

MR Motion Ratio

d1 Distance from spring centerline to control arm inner pivot center (in) or (mm)

d2 Distance from outer ball joint to control arm inner pivot center (in) or (mm)

$$MR = \left(\frac{d1}{d2} \right)$$

Beam Axle Suspension - (See Diagram 2)

MR Motion Ratio

d3 Distance between spring centerlines (in) or (mm)

d4 Distance between tire centerlines

$$MR = \left(\frac{d3}{d4} \right)$$

Angle Correction Factor

ACF Angle Correction Factor

A Spring angle from vertical (see diagram 1)

$$ACF = (\text{Cosine } \angle (A))$$

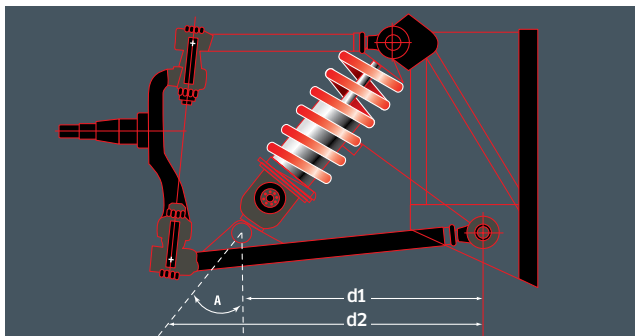


DIAGRAM 1 (A-ARM SUSPENSION)

The motion ratio is a lever arm effect of the control arm acting on the spring. If the spring is mounted at an angle, the reduced motion of the spring must also be taken in account.

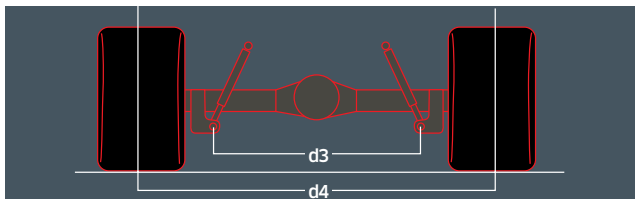


DIAGRAM 2 (BEAM AXLE SUSPENSION)

The motion ratio of a live axle setup is shown here. Over two-wheel bumps, the motion ratio is 1:1. Over single wheel bumps and during body roll, the motion ratio as shown in step 1. The motion ratio is only used for calculating roll resistance, not for suspension frequencies.

STEP 2: WHEEL RATE

Wheel Rate is the actual rate of a spring acting at the tire contact patch. This value is measured in lbs/inch or N/mm, just as spring rate is. The wheel rate can be determined by using the formula below.

Wheel Rate (non beam)

WR Wheel Rate (lbs/in) or (N/mm)

C Spring Rate (lbs/in) or (N/mm)

MR Motion Ratio

ACF Angle Correction Factor

$$WR = (MR)^2 (C) (ACF)$$

STEP 3: SUSPENSION FREQUENCY

Suspension Frequency refers to the number of oscillations or "cycles" of the suspension over a fixed time period when a load is applied to the vehicle

Suspension Frequency

SF Suspension Frequency (cpm)*

WR Wheel Rate (lbs/in) or (N/mm)

Sprung Weight Vehicle corner weight less unsprung weight

$$SF = (187.8) \left(\frac{WR}{\text{sprung weight}} \right)$$

*cpm= cycles per minute

$$\text{Suspension frequency in hertz divide by 60} = \frac{SF}{60}$$

Tip 1: Calculation of Wheel Rate for a given frequency

WR Wheel Rate (lbs/in) or (N/mm) (see step 2)

SF Suspension Frequency (cpm) (see step 3)

Sprung Weight Vehicle corner weight less unsprung weight

$$WR = \left(\frac{SF}{187.8} \right)^2 \left(\frac{\text{sprung Weight}}{\text{Weight}} \right)$$

Tip 2: Calculation of Spring Rate needed for a given Wheel Rate

C Spring Rate (lbs/in) or (N/mm)

WR Wheel Rate (lbs/in) or (N/mm) (see step 2)

MR Motion Ratio

ACF Angle Correction Factor

$$C = \frac{WR}{(MR)^2 (ACF)}$$

DETERMINING SPRING RATE.

All Eibach motorsport springs are tested between 20% and 70% of the spring's total travel. This spring rate can be measured easily using the following steps:

Example Spring—Standard: 1200.250.0500 (12" Free Length, 2.5" ID, 500lb/in)
Metric: 0300.060.0100 (300mm Free Length, 60mm ID, 100N/mm)

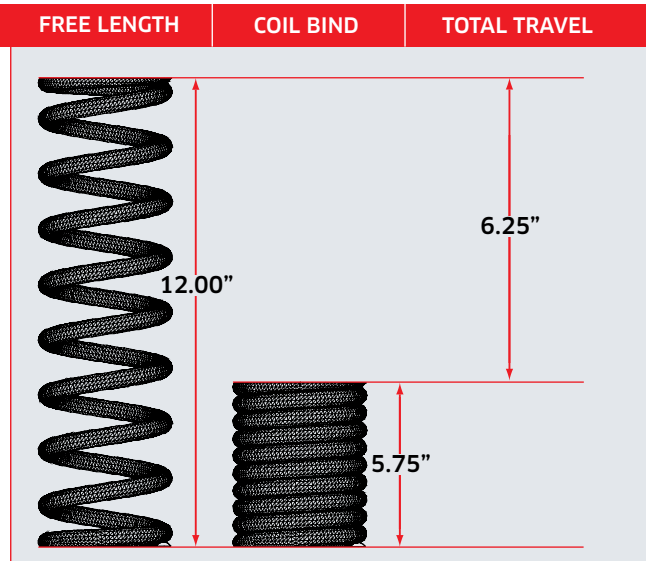
STEP 1: DETERMINE TRAVEL

For the spring to be rated, please refer to the specifications listed for your spring part number in this catalog and record the travel measurement. This number represents the total available travel from free height to coil bind.

Our example spring travel measurements for standard: 6.25" metric: 146mm

STEP 2: DETERMINE TEST RANGE

Calculate the first test point by taking 20% of 6.25" (which equals 1.25") or 20% of 146mm (which equals 29.20mm) and the second test point by taking 70% of 6.25" (which equals 4.375") or 70% of 146mm (which equals 102.20mm). The actual travel between these two points (3.125") or (73mm) is where we determine the spring rate.

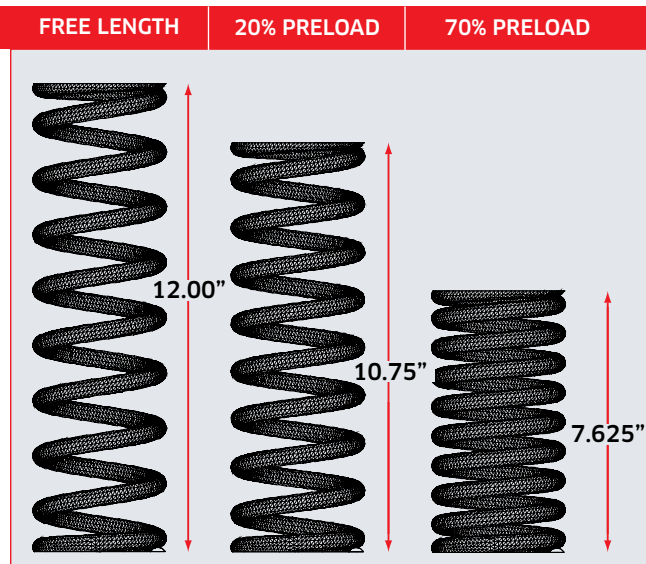


STEP 3: SPRING RATE TEST

Preload the spring 1.25" or 29.20mm and record the force measurement. Continue to compress the spring an additional 3.125" (total compression of 4.375") or 73mm (total compression of 102.20mm) and record the force measurement. Calculate and record the difference in force between the two points (1.25" >< 4.375") or (29.20mm >< 102.20mm). In our example the difference would be approximately 1565lbs or 7300N.

STEP 4: SPRING RATE CALCULATION

With Eibach's precise spring rate tolerance of +/- 2% (500 x 2% = 10 lbs) the spring rate should fall between 490 and 510 lbs/in (1565 / 3.125 = 500lb) or 95N and 105N (7300N / 73mm = 100N/mm).



CONVERSION RATES

Imperial to Metric

1 inch	=	25.4 MM
1 lb	=	4.448 Newton
1 lb	=	0.453 Kilogram

Metric to Imperial

1 MM	=	0.03937 inch
1 Newton	=	0.2248 lb
1 Kilogram	=	2.20 lbs

Your Eibach Partner:**USA**

Eibach Springs, Inc.
264 Mariah Circle
Corona, CA 92879-1751
Phone +1 951 256 - 8300
Fax +1 951 256 - 8333
E-mail eibach@eibach.com

Germany

Heinrich Eibach GmbH
Am Lennedamm 1
57413 Finnentrop
Phone +49 27 21 - 5 11-342
Fax +49 27 21 - 5 11-111
E-mail eibach@eibach.de

Australia

Eibach Suspension Technology P.T.Y. Ltd.
3/4 Prosperity Parade
Warriewood NSW 2102
Phone +61 2-99 99-36 55
Fax +61 2-99 99-38 55
E-mail eibach@eibach.com.au

China

Eibach Springs (Taicang) Ltd.
Room 306, 3rd Floor,
No. 60 Yangzhou Road, East
Taicang, Jiangsu Province
China 215400
Phone +86 512-5359 2388
Fax +86 512-5359 2389
E-mail eibach@eibach-china.com

Japan

Eibach Japan Co., Ltd.
No. 3-9-36 Yuigahama
Kanagawa-Pref.
Kamakura-City 248-0014
Japan
Phone +81 4 67 61 - 36 10
Fax +81 4 67 61 - 36 15
E-mail eibach@eibach.jp

South Africa

Eibach South Africa P.T.Y. Ltd.
P.O. Box 2495
North End 6045
Port Elizabeth
Phone +27 41 - 4 51 53 11
Fax +27 41 - 4 53 42 74
E-mail eibachsa@telkomsa.net

United Kingdom

Eibach UK
25, Swannington Road
Broughton Astley
Leicestershire LE9 6TU
Phone +44 14 55 - 28 58 51
Fax +44 14 55 - 28 58 53
E-mail sales@eibach.co.uk